

Date _____ Page _____ of _____

Ordered by:

Company	
Responsible	
Street	
Postcode / city	
Phone	
Email	
Fax	

Delivery address:

Name	
ASN	
Street	
Postcode / city	

Object	
Order n°	

Desired delivery date	
-----------------------	--

Profile	
Thickness	
Material	<input type="checkbox"/> steel <input type="checkbox"/> aluminium
Colour	
Joint	<input type="checkbox"/> open (F) <input type="checkbox"/> closed (G)

Specialities:

Microribbed	<input type="checkbox"/> with	<input type="checkbox"/> without
Bended ends*	<input type="checkbox"/> one-sided	<input type="checkbox"/> double-sided
	<input type="checkbox"/> left	<input type="checkbox"/> right

*in accordance with bended ends leaflet (next page)

Pos.	Quantity	Length mm	Comment

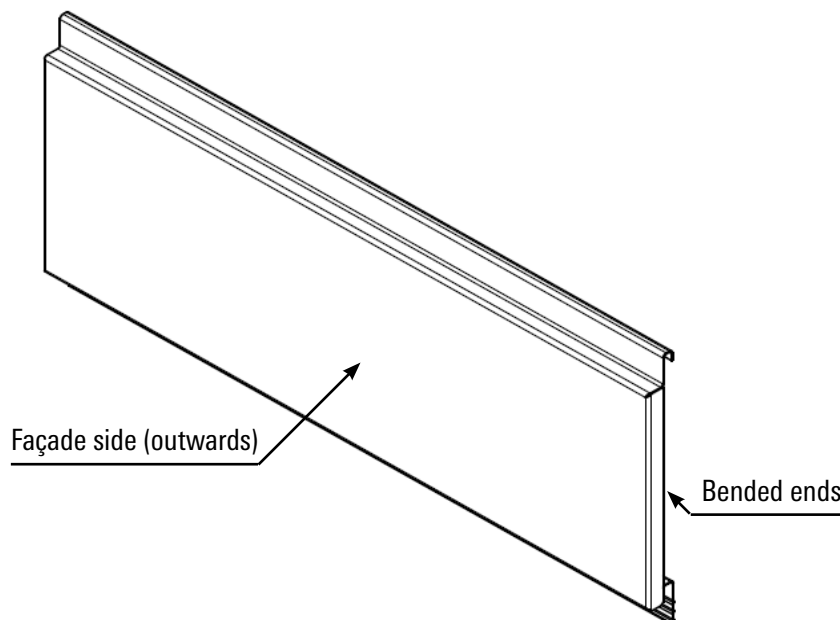
Pos.	Quantity	Length mm	Comment

Comments:

Stamp _____

Signature _____

MONTALINE® with bended ends on the right



MONTALINE® with bended ends on the left

