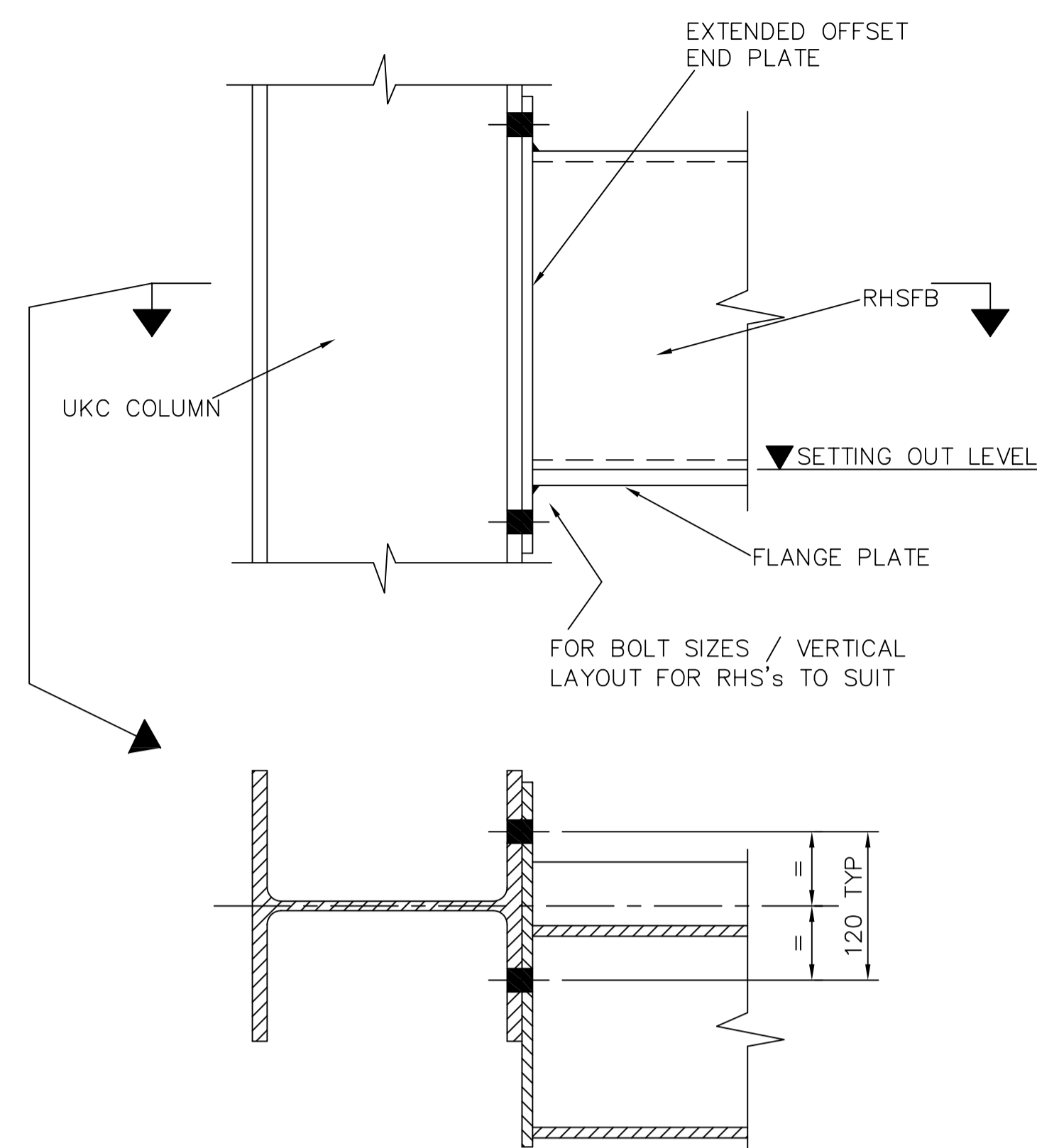
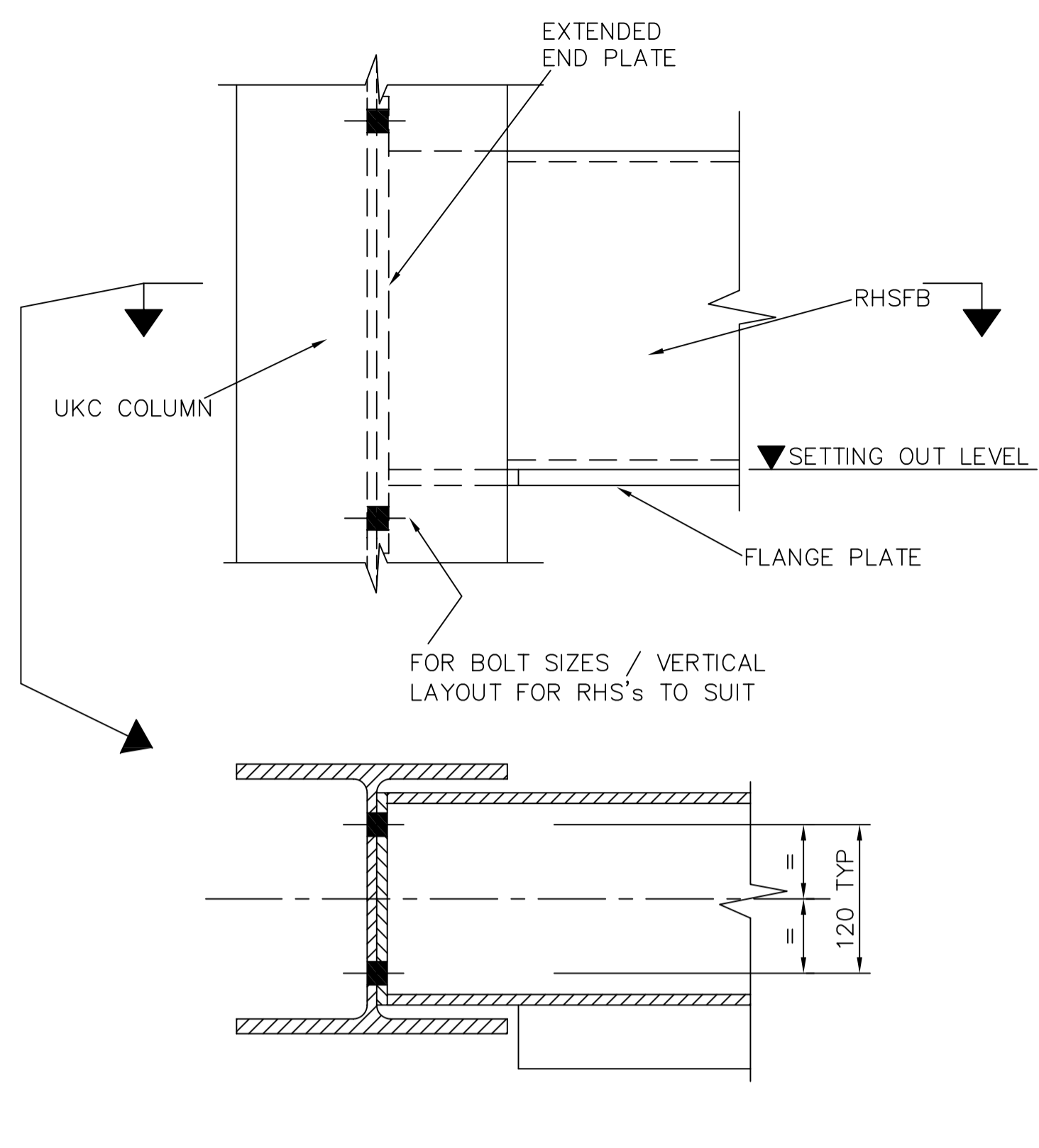


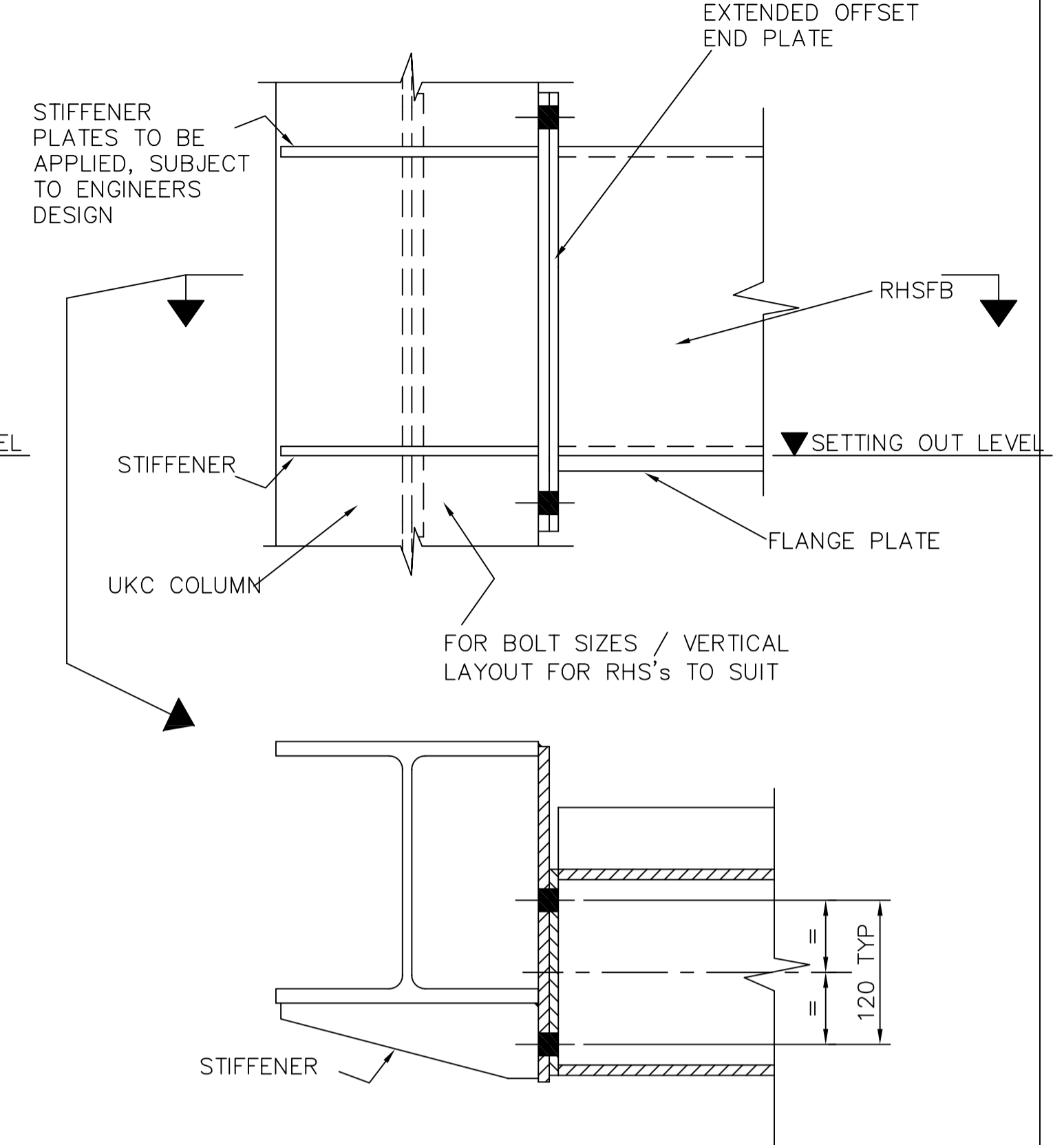
SD92  
TYPICAL RHS TO UKC COLUMN FLANGE CONNECTION



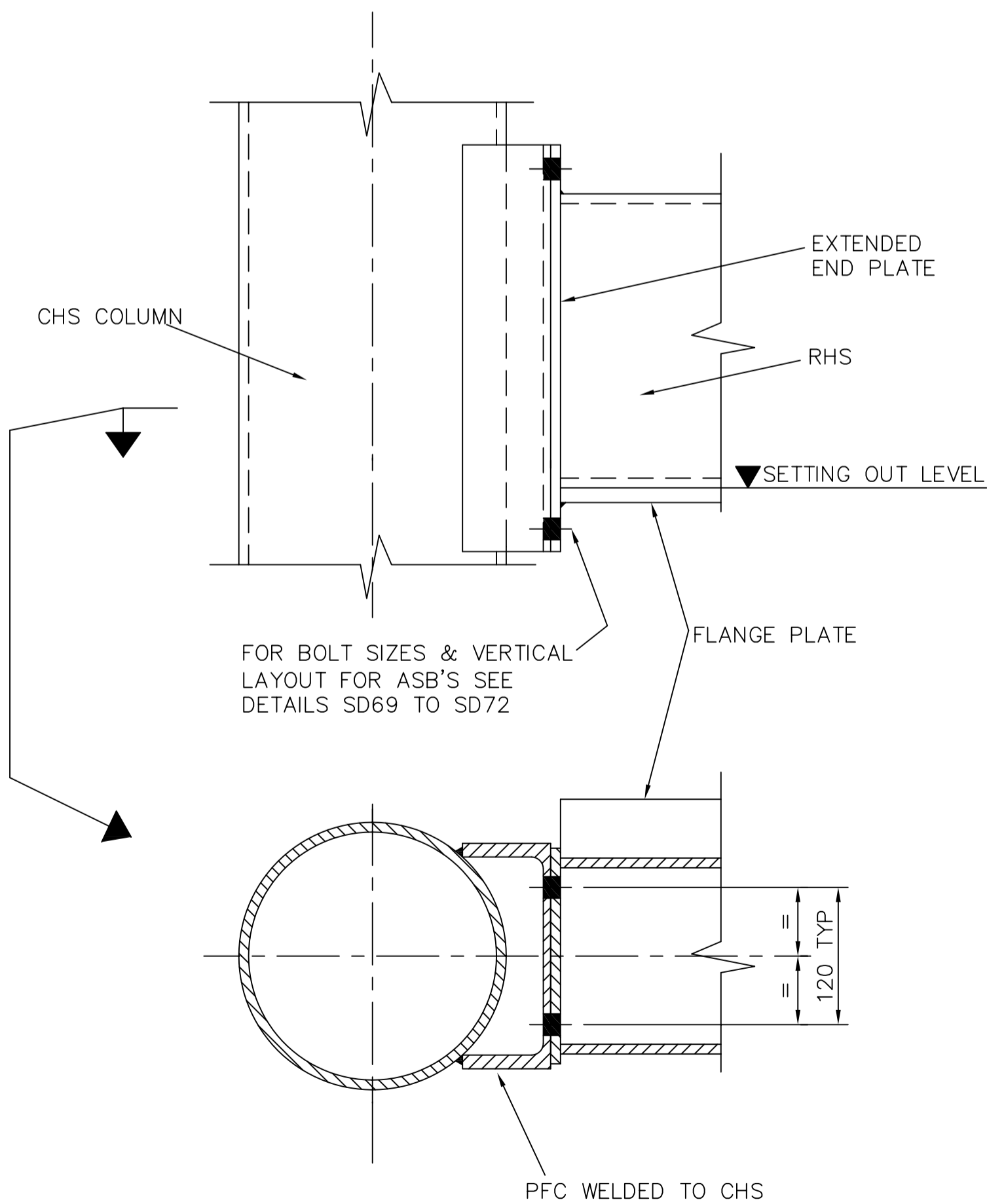
SD93  
TYPICAL RHS TO UKC COLUMN FLANGE CONNECTION



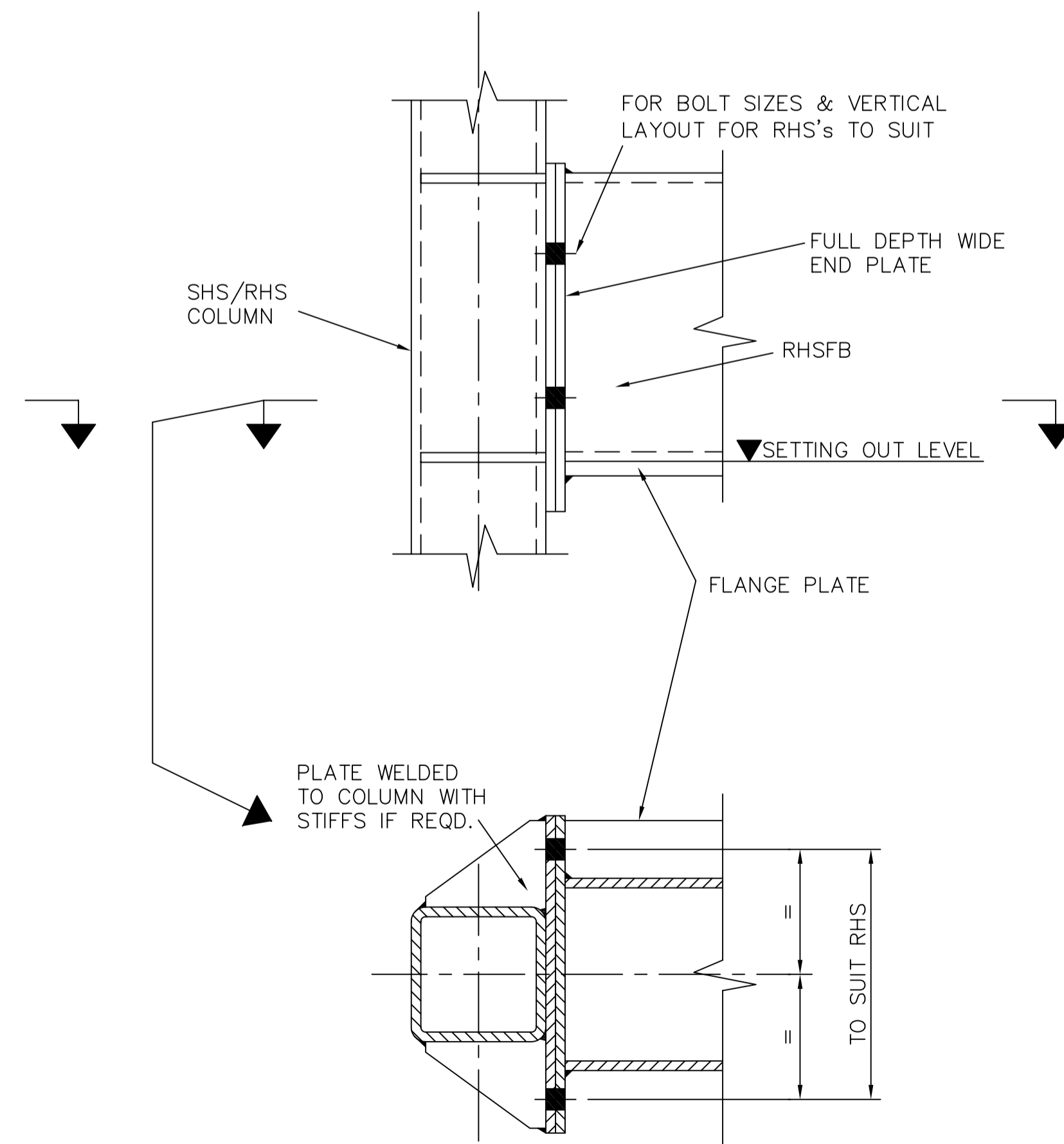
SD94  
TYPICAL RHS TO UKC COLUMN FLANGE CONNECTION



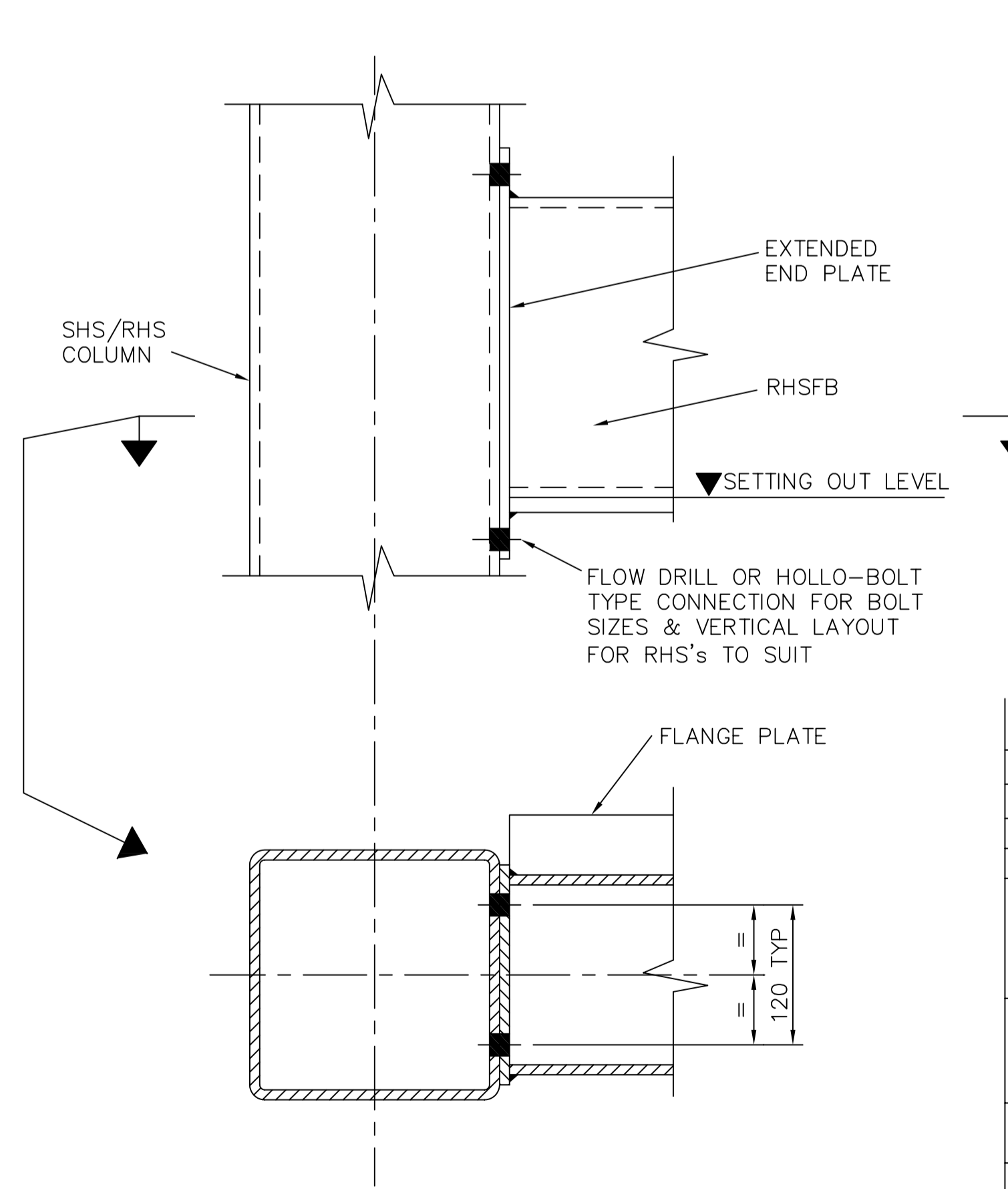
SD95  
TYPICAL RHS TO UKC COLUMN FLANGE CONNECTION



SD96  
TYPICAL RHS TO CHS COLUMN CONNECTION



SD97  
TYPICAL RHS TO SMALL SHS/RHS COLUMN CONNECTION



SD98  
TYPICAL RHS TO LARGE SHS/RHS COLUMN CONNECTION

No.	Date	Description	By	Chk'd
D	29/5/11	Company logo changed	DR	PNW
C	7/11/07	Drawing Updated	BWA	
B	27/4/01	Drawing Updated	SJS	CLB

Drawing Revisions				
Title				
TYPICAL STEELWORK DETAILS RHS / SHS CONNECTIONS				

Project				
SLIMDEK TYPICAL DETAILS				

Drawn	NW / DL	 tel +44 (0)1724 405060
Date	April 2001	
Checked		
Date		

Scale	1 : 5	Drawing No.	BS-SD225-013
-------	-------	-------------	--------------