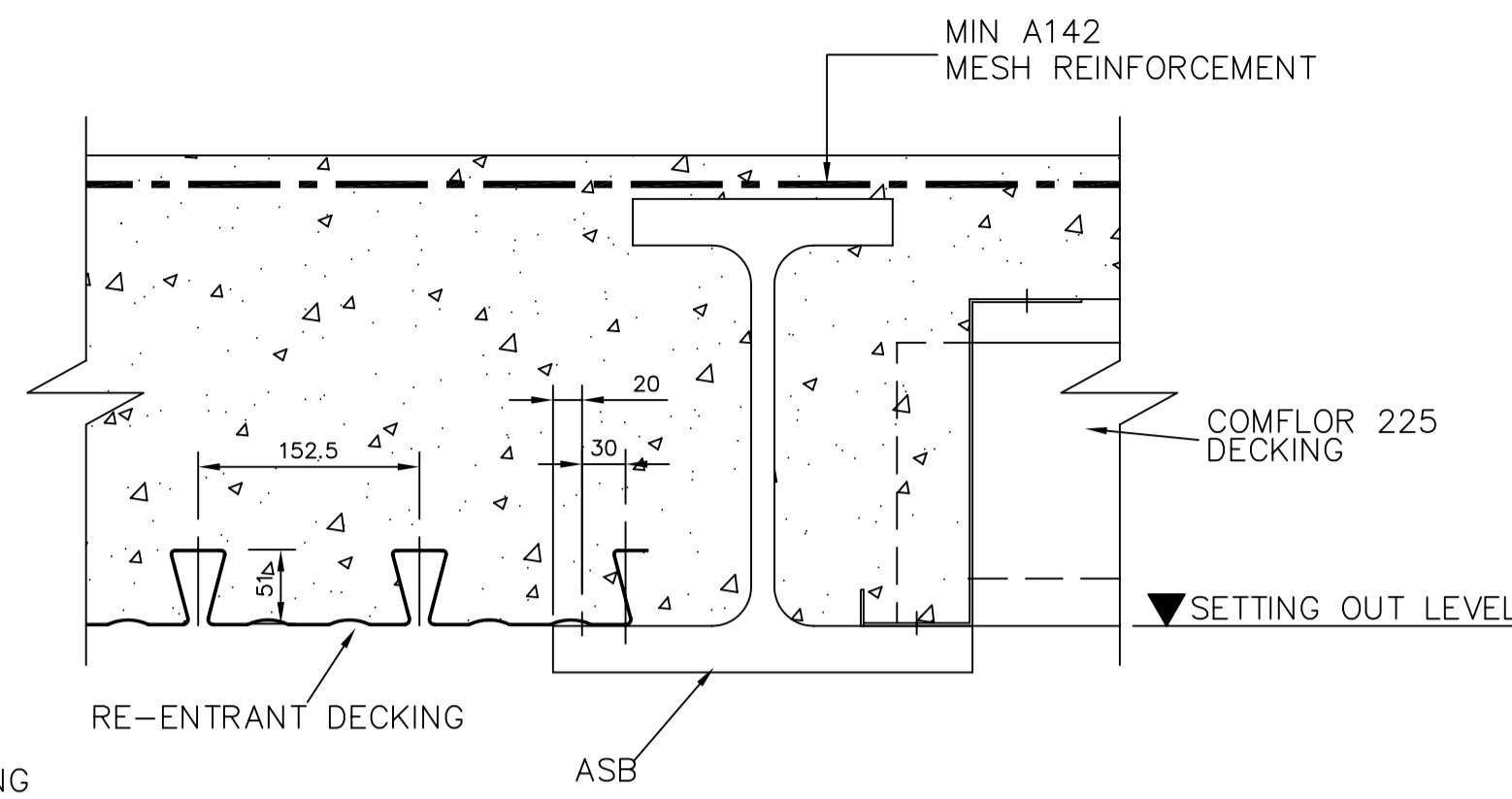
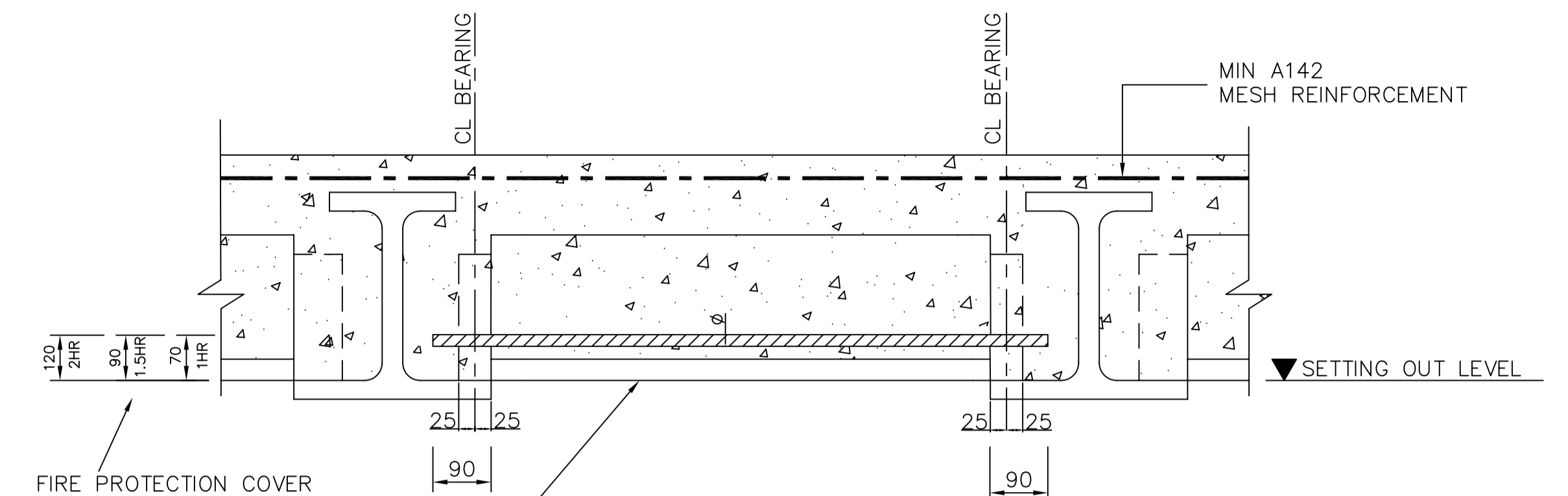


NOTE  
 IF DIM. A > 150 THEN DIM. B = 100 MIN  
 IF DIM. A < 150 THEN DIM. B = 70 MIN

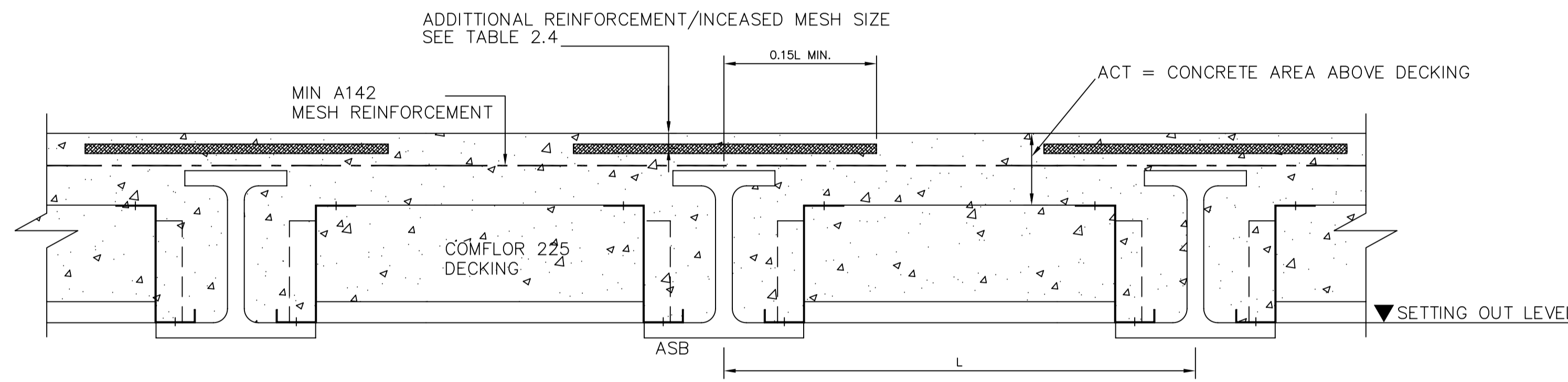
SD85  
 TYPICAL UKT OPENING EDGE DETAIL  
 DECK CUT TO SUIT OPENING



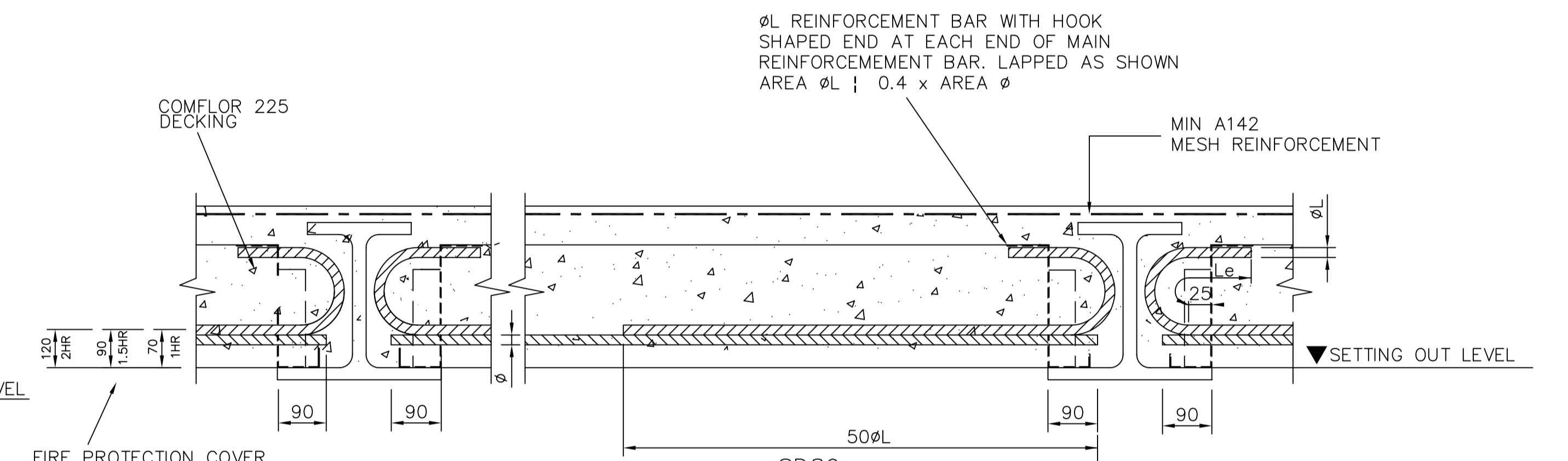
SD86  
 TYPICAL SETTING OUT POINT FOR RE-ENTRANT DECKING



SD87  
 TYPICAL DECK REINFORCEMENT DETAILS  
 FOR  $v \leq 0.5v_c$  & FIRE RESISTANCE  $\leq 60$  MINS

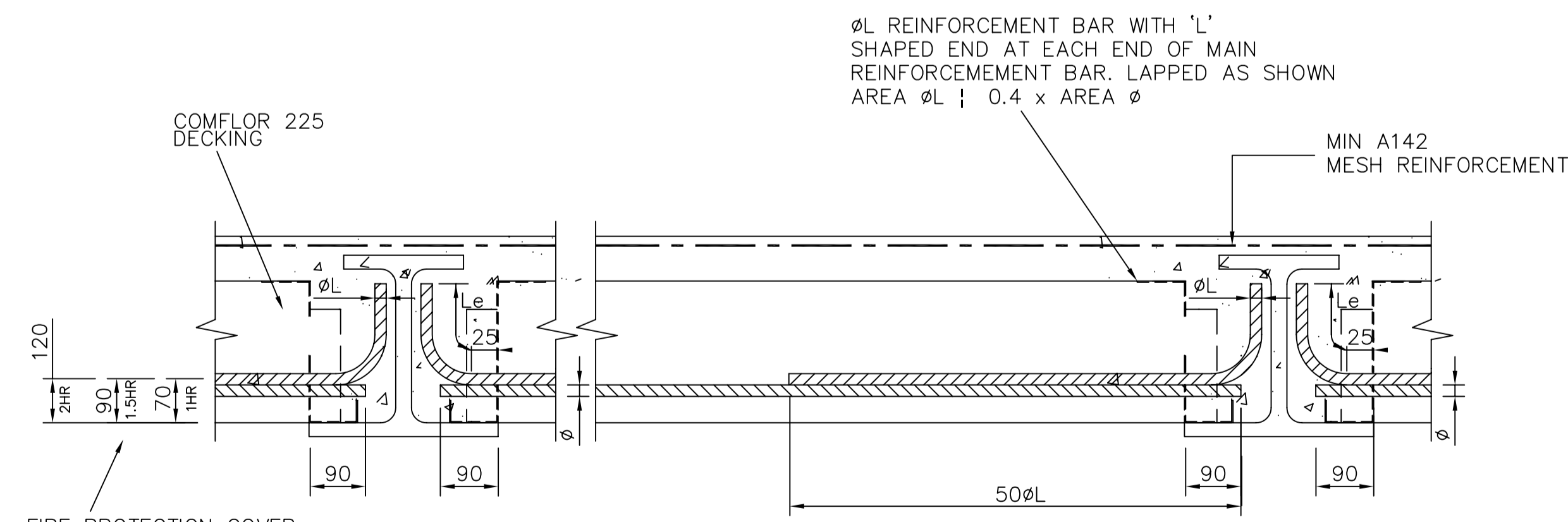


SD90  
 TYPICAL CRACK CONTROL REINFORCEMENT



SD89  
 TYPICAL DECK REINFORCEMENT DETAILS  
 FOR  $0.5v_c < v < v_c$  & FIRE RESISTANCE  $> 60$  MINS  
 (le = equivalent to  $12\phi L$ )


NOTE:  
 FOR HIGH SHEAR VALUES ENHANCE TOP REINFORCEMENT,  
 CONSIDER USING 2 NO 20φ HOOK BARS



SD91  
 TYPICAL DECK REINFORCEMENT DETAILS  
 FOR  $0.5v_c < v < v_c$  OR FIRE RESISTANCE  $> 60$  MINS  
 (SEE DECKING CALCULATIONS)  
 (le = equivalent to  $12\phi L$ )

NOTE:  
 FOR HIGH SHEAR VALUES ENHANCE TOP REINFORCEMENT,  
 USING 2 NO 20φ HOOK BARS

D	29/5/11	Company logo changed	DR	PNW
C	7/11/07	Drawing Updated	BWA	
B	27/4/01	Drawing Updated	SJS	CLB
No.	Date	Description	By	Chk'd

Drawing Revisions				
Title <b>TYPICAL DECK REINFORCEMENTS</b>				
Project <b>SLIMDEK TYPICAL DETAILS</b>				
Drawn	NW / DL	 tel +44 (0)1724 405060		
Date	April 2001			
Checked				
Date				
Scale	1 : 5	Drawing No. BS-SD225-012		