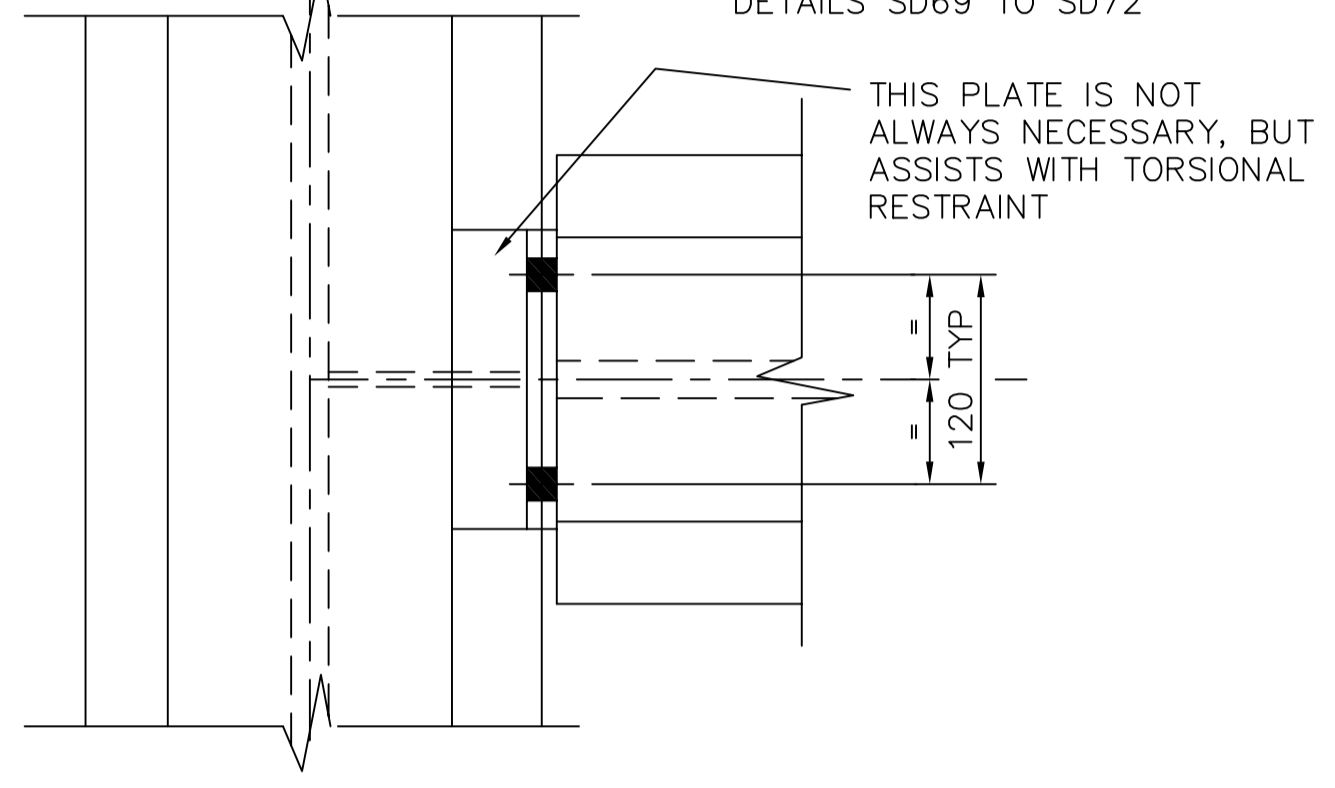
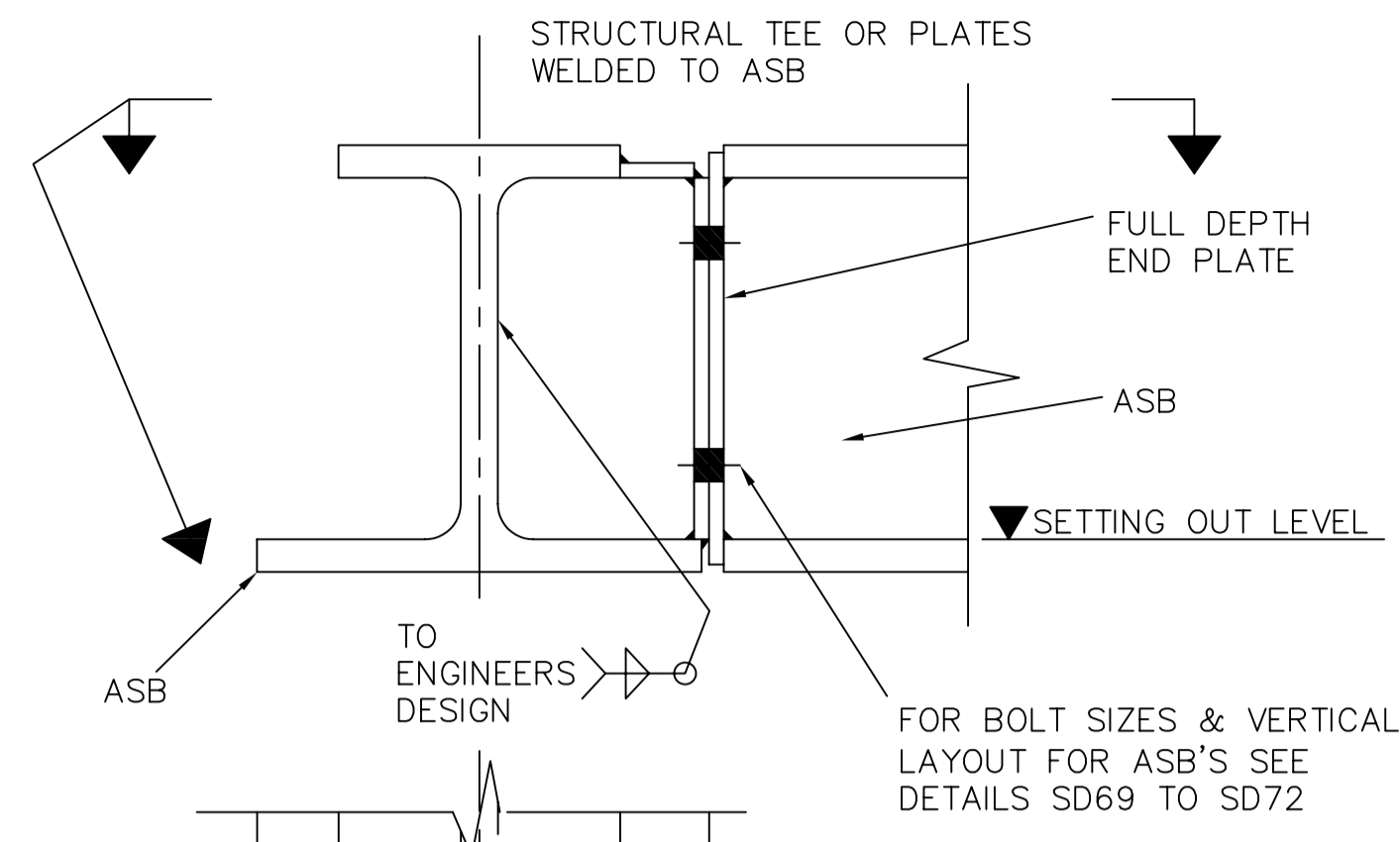
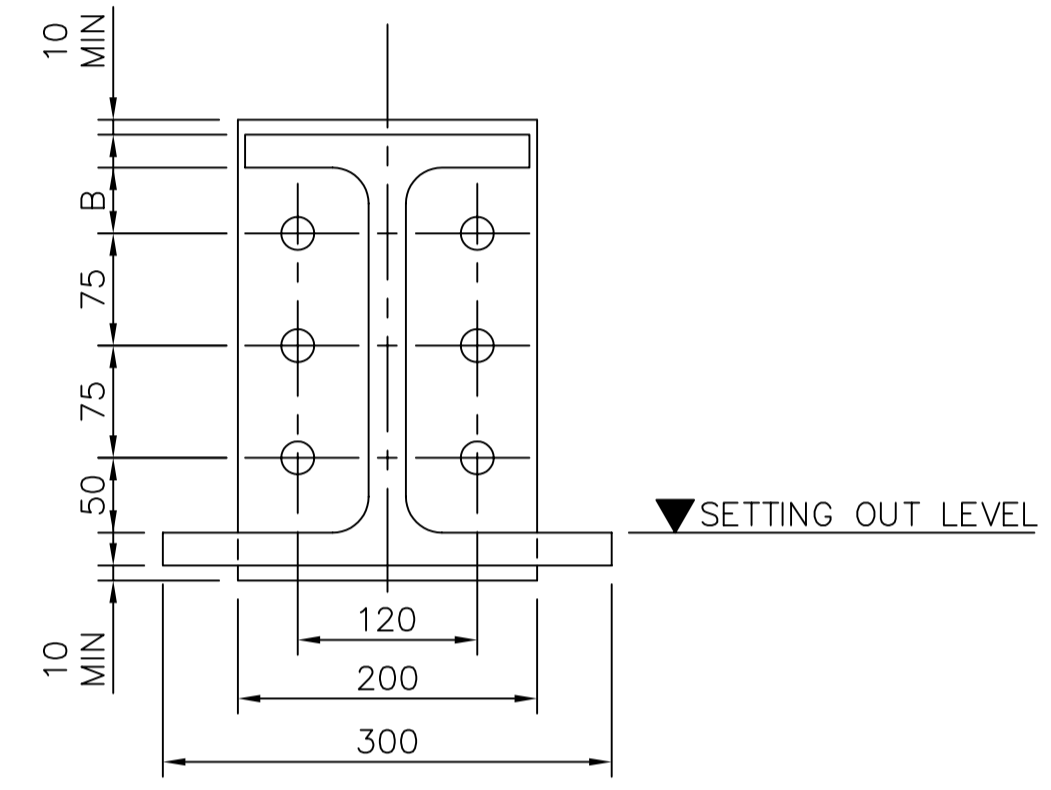
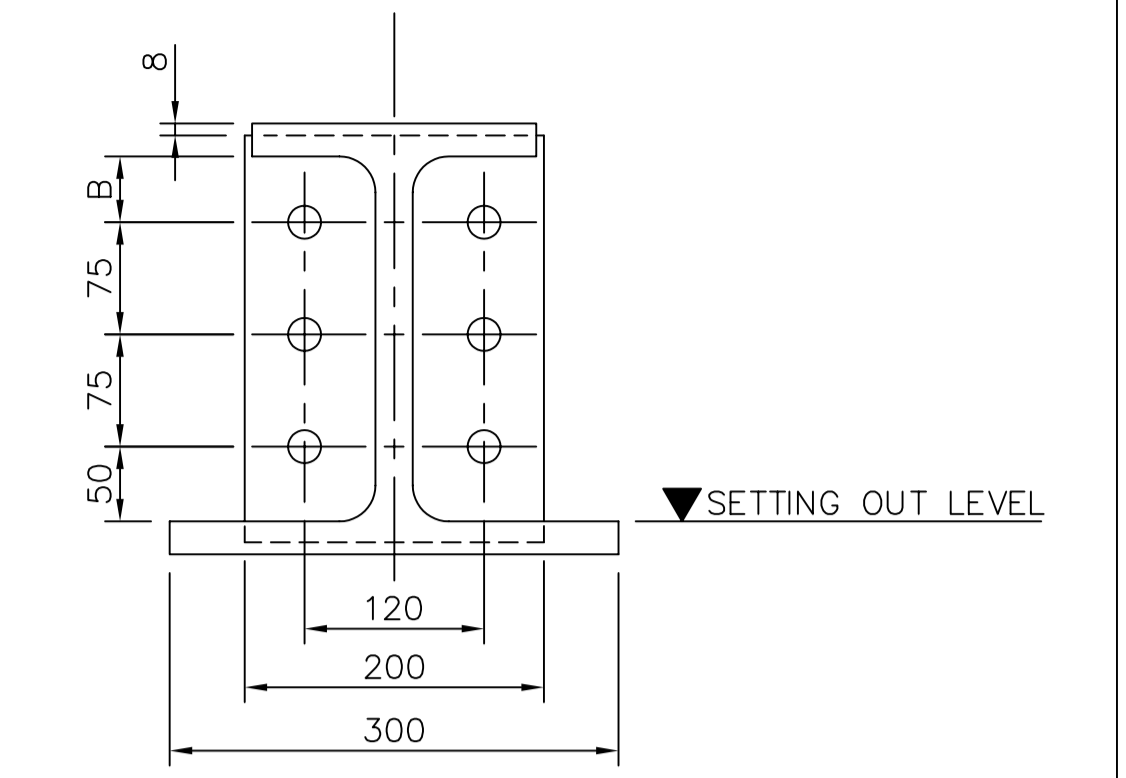
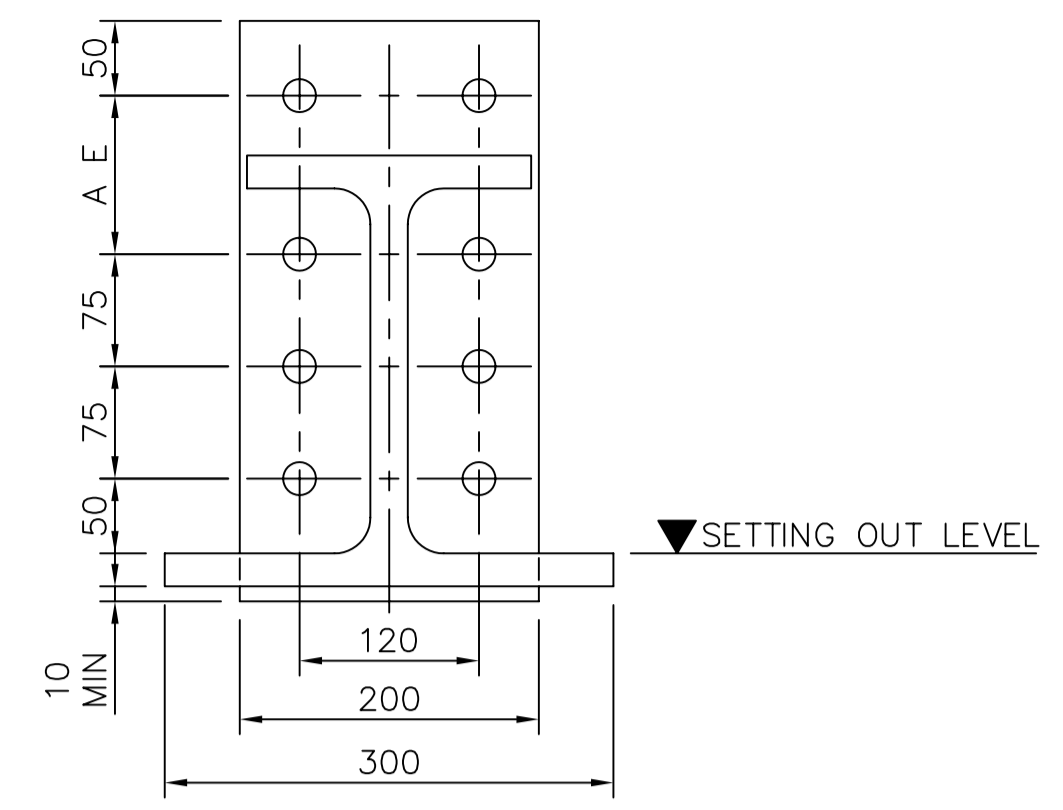


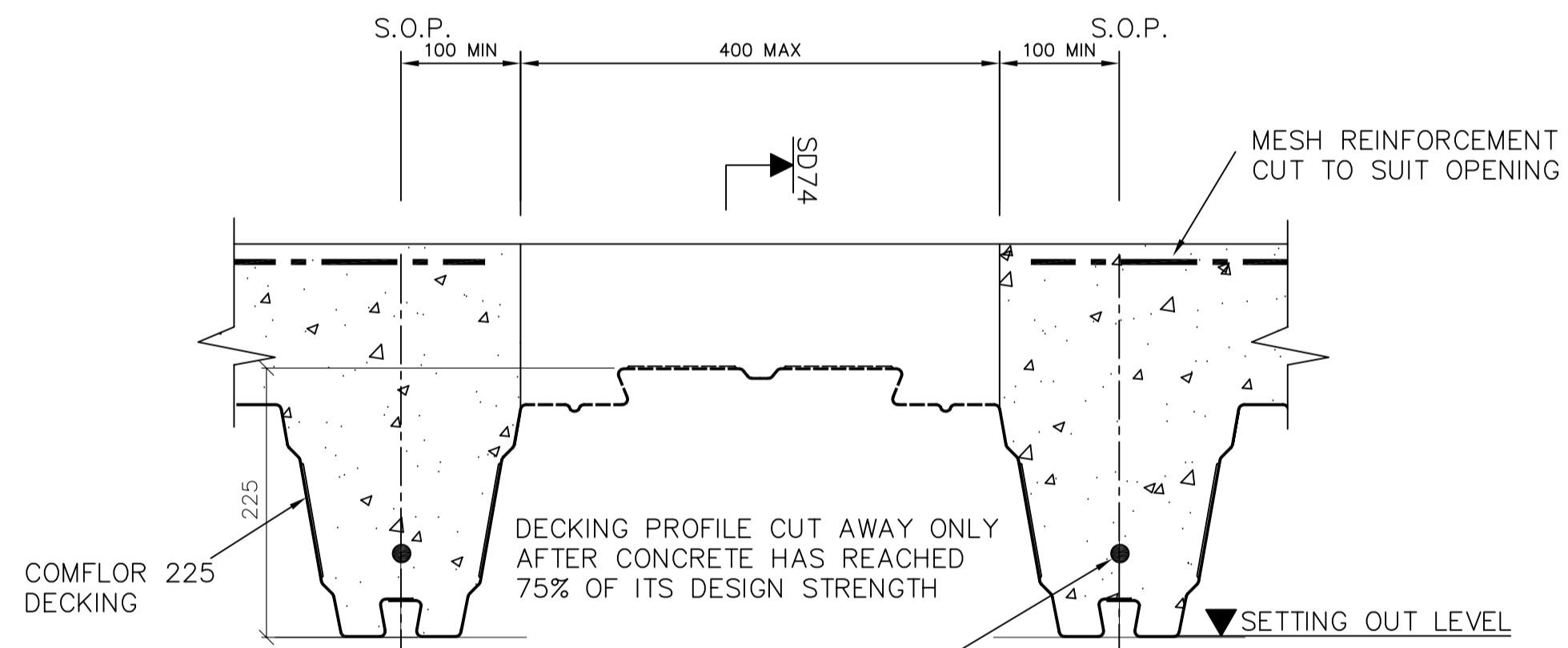
SD67
TYPICAL ASB TO LARGE SHS/RHS COLUMN CONNECTION-ALTERNATIVE



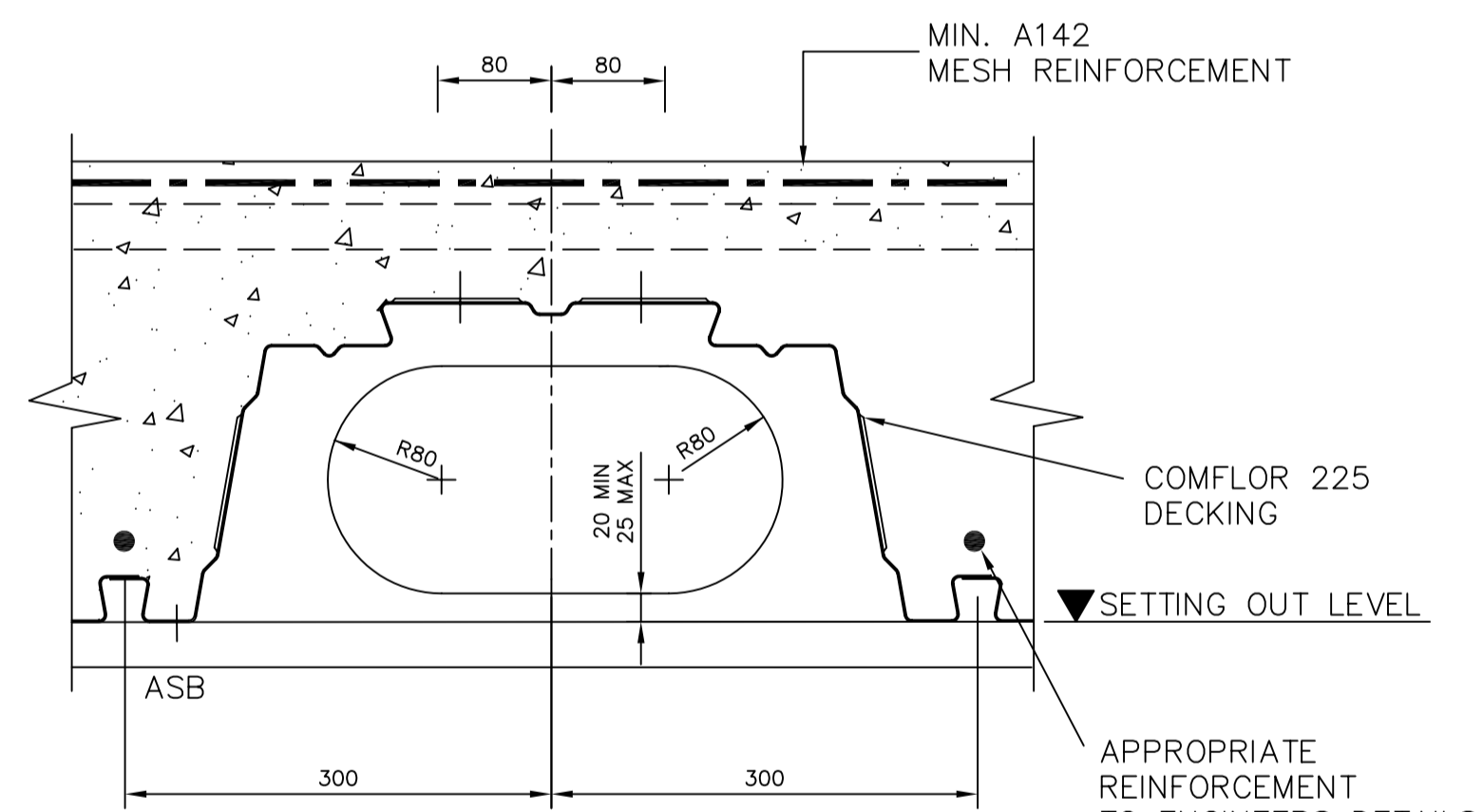
SD68
TYPICAL ASB TO ASB CONNECTION



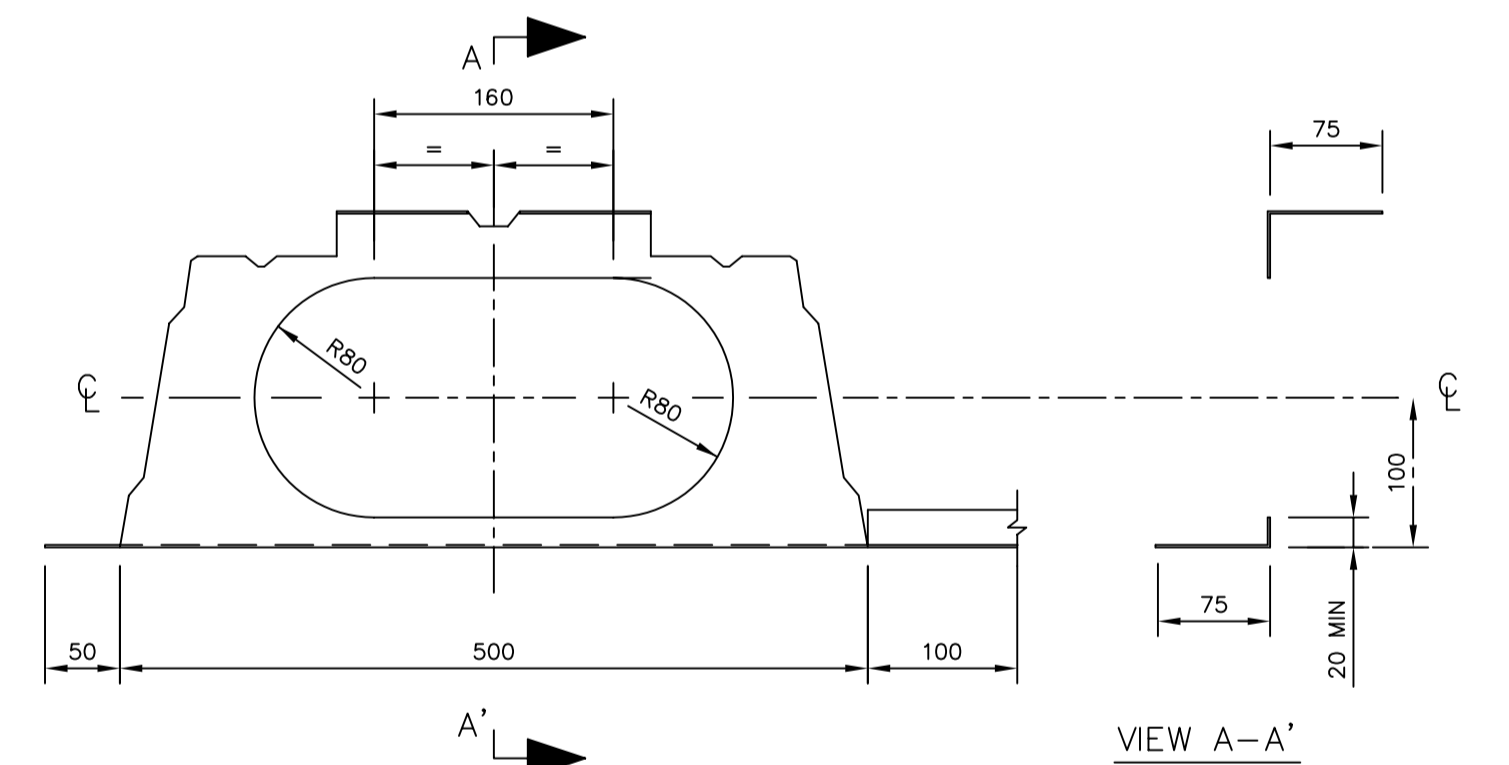
SD71
TYPICAL BOLT LAYOUT FOR FLUSH END PLATE - TYPE 'B'



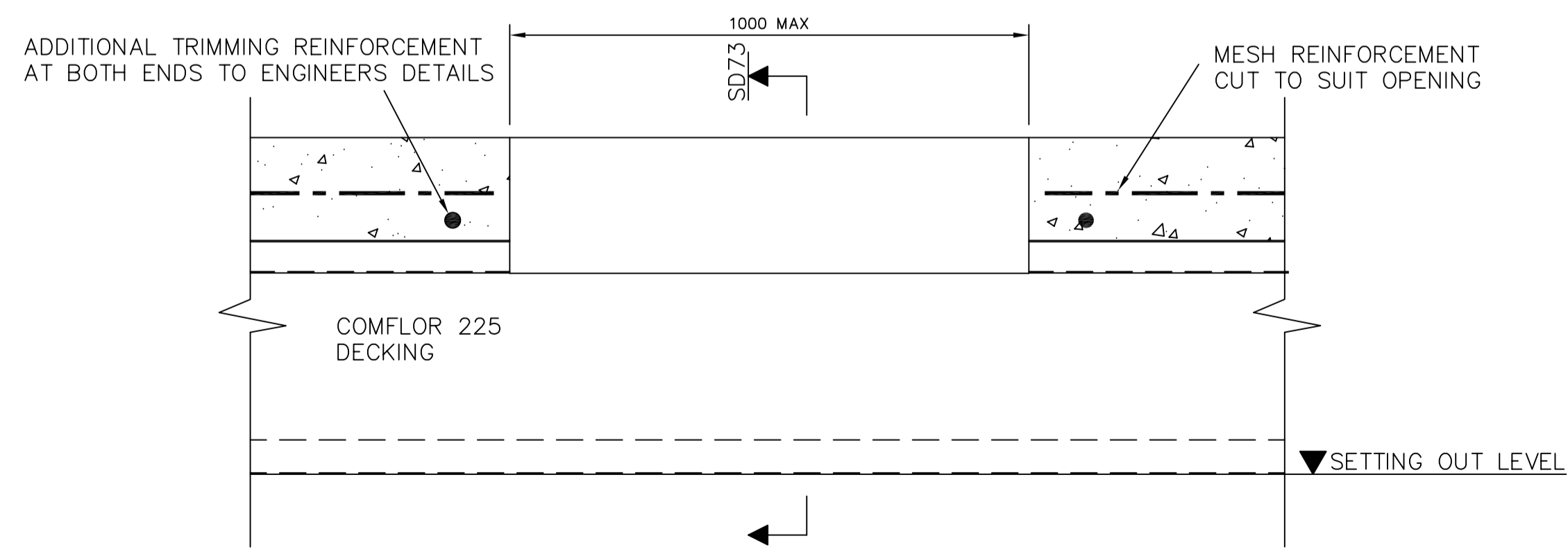
SD73
TYPICAL SECTION THROUGH 400 x 1000 OPENING



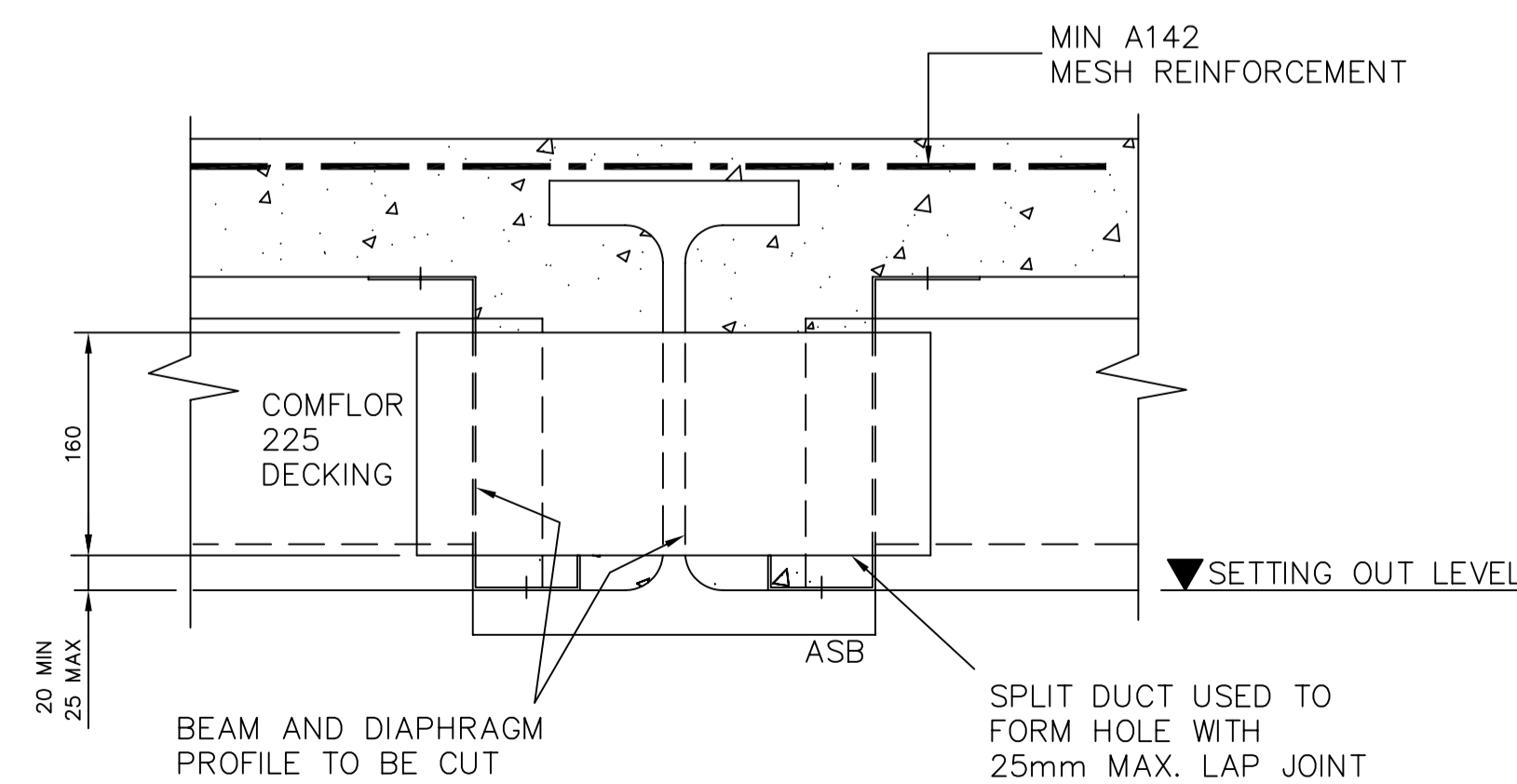
SD75
RECOMMENDED MAX. SIZE SERVICE HOLE



SD76
SERVICE HOLE DUCT & DIAPHRAGM DETAIL



SD74
TYPICAL SECTION THROUGH 400 x 1000 OPENING



SD77
BEAM & DUCT CUTTING DETAIL

E	29/5/11	Company logo changed	DR	PNW
D	19/05/08	Updated with comments from P&P	DR	PNW
C	7/11/07	Drawing Updated	BWA	
B	27/4/01	Drawing Updated	SJS	CLB
No.	Date	Description	By	Chk'd

Drawing Revisions				
Title TYPICAL STEELWORK CONNECTIONS & DECK OPENING DETAILS				
Project SLIMDEK TYPICAL DETAILS				
Drawn	NW / DL			
Date	April 2001			
Checked				
Date				
Scale	1 : 5	Drawing No. BS-SD225-010		

TATA STEEL

tel +44 (0)1724 405060