

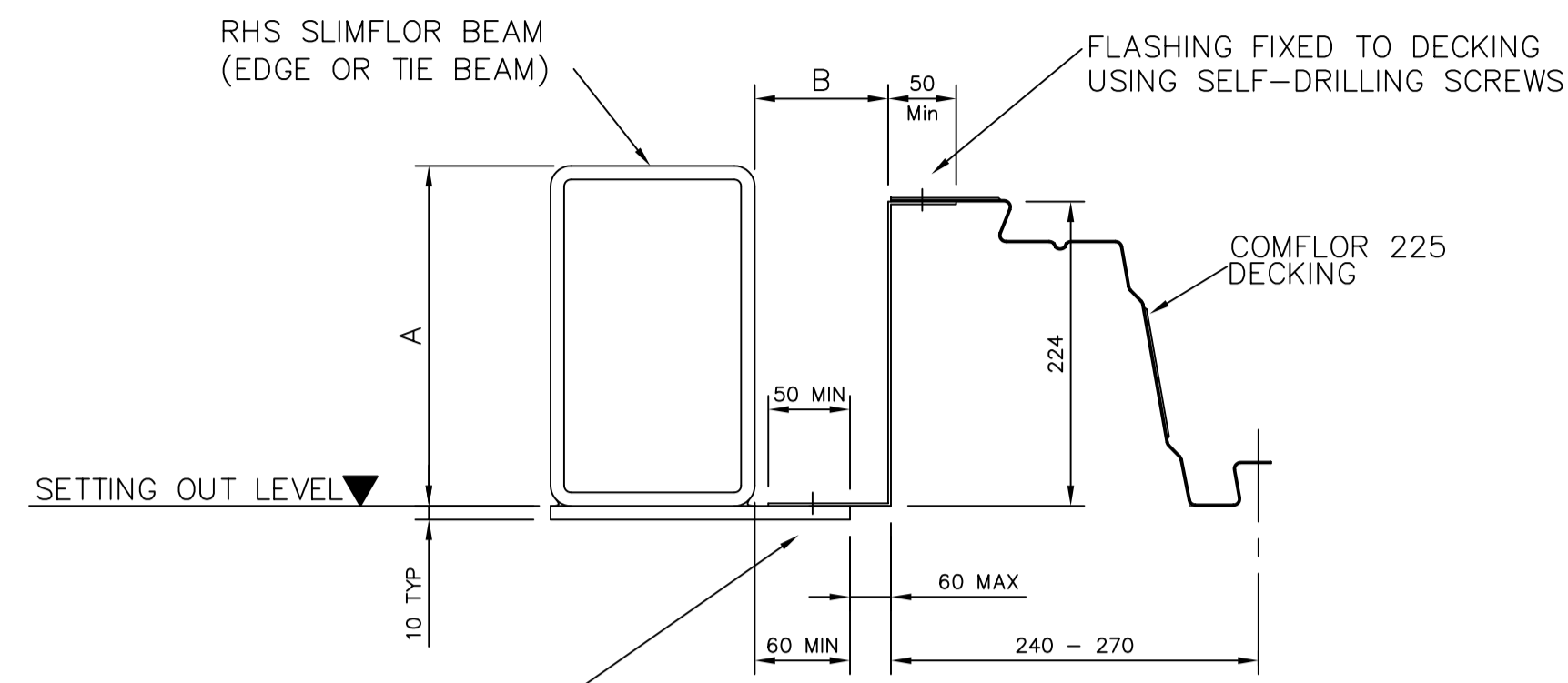
FLASHING FIXED TO STEEL WORK USING HEAVY DUTY POWER ACTUATED FASTENINGS

NOTE  
IF DIM. A > 150 THEN DIM. B = 100 MIN.  
IF DIM. A < 150 THEN DIM. B = 70 MIN.

SD51

"Z" CLOSURE FLASHING DETAILS  
370 - 405 DECK CUT TO RHSFB

SEE DETAIL SD104 ON Drg BS-SD225-014 FOR SAFETY NETTING CONNECTIONS



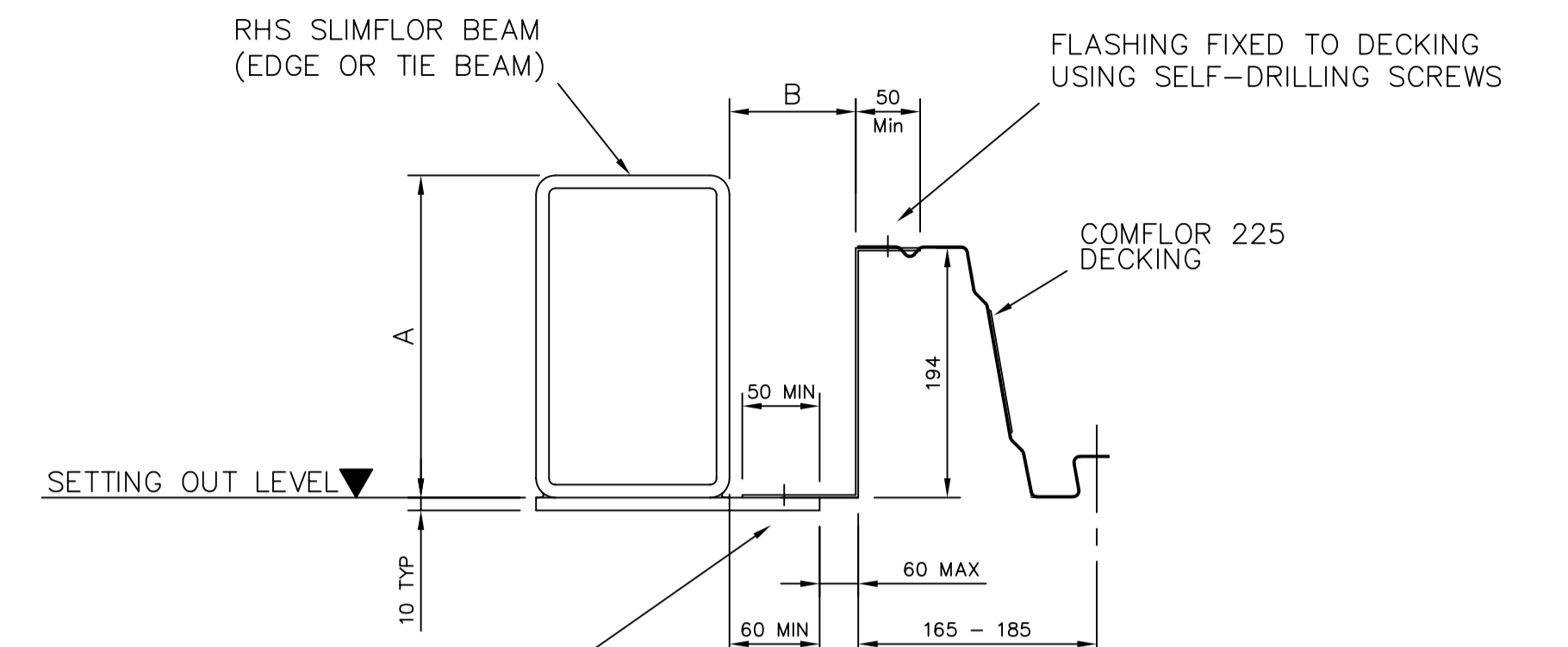
FLASHING FIXED TO STEEL WORK USING HEAVY DUTY POWER ACTUATED FASTENINGS

NOTE  
IF DIM. A > 150 THEN DIM. B = 100 MIN.  
IF DIM. A < 150 THEN DIM. B = 70 MIN.

SD52

"Z" CLOSURE FLASHING DETAILS  
240 - 270 DECK CUT TO RHSFB

SEE DETAIL SD104 ON Drg BS-SD225-014 FOR SAFETY NETTING CONNECTIONS



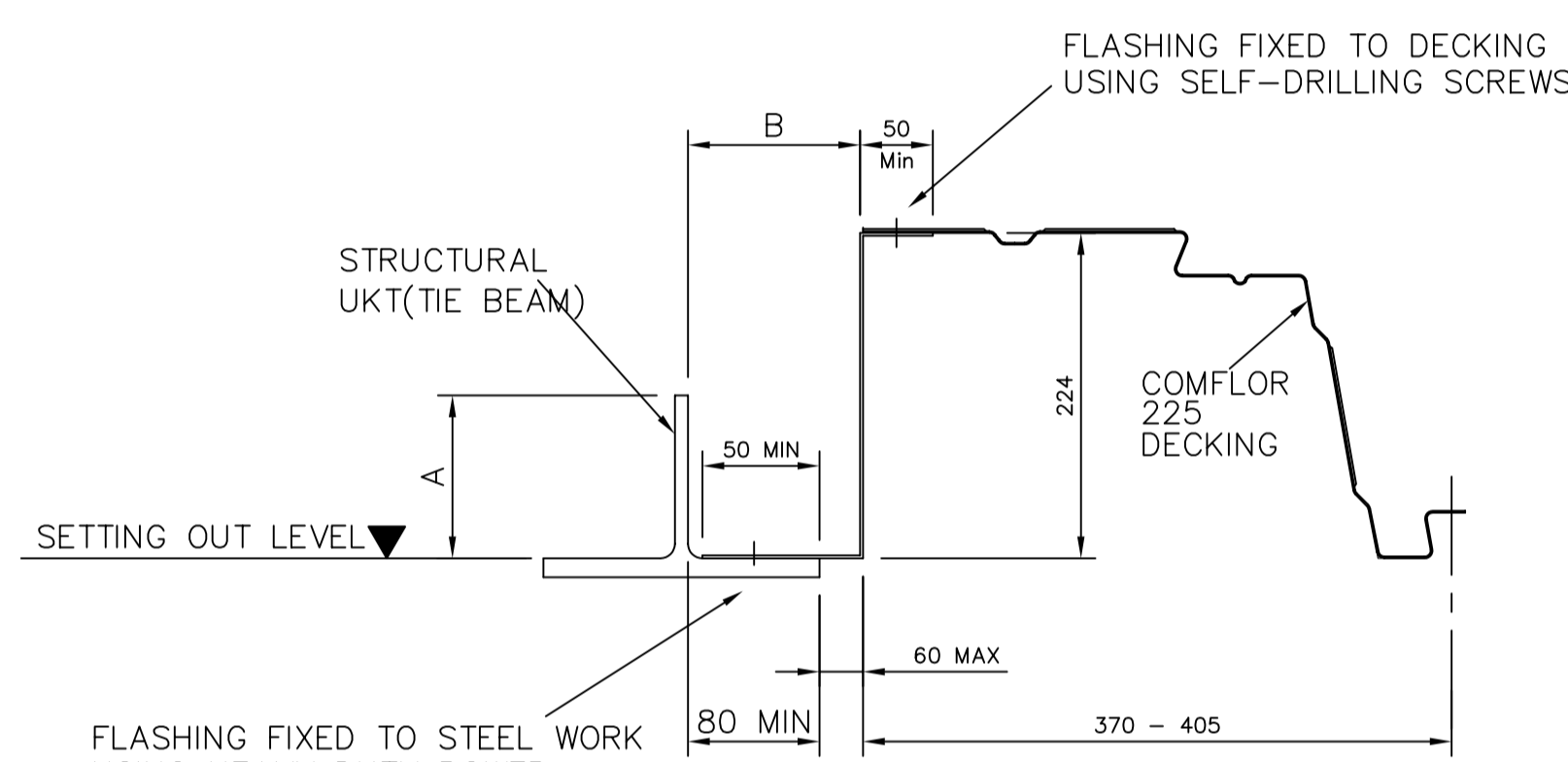
FLASHING FIXED TO STEEL WORK USING HEAVY DUTY POWER ACTUATED FASTENINGS

NOTE  
IF DIM. A > 150 THEN DIM. B = 100 MIN.  
IF DIM. A < 150 THEN DIM. B = 70 MIN.

SD53

"Z" CLOSURE FLASHING DETAILS  
165 - 185 DECK CUT TO RHSFB

SEE DETAIL SD104 ON Drg BS-SD225-014 FOR SAFETY NETTING CONNECTIONS

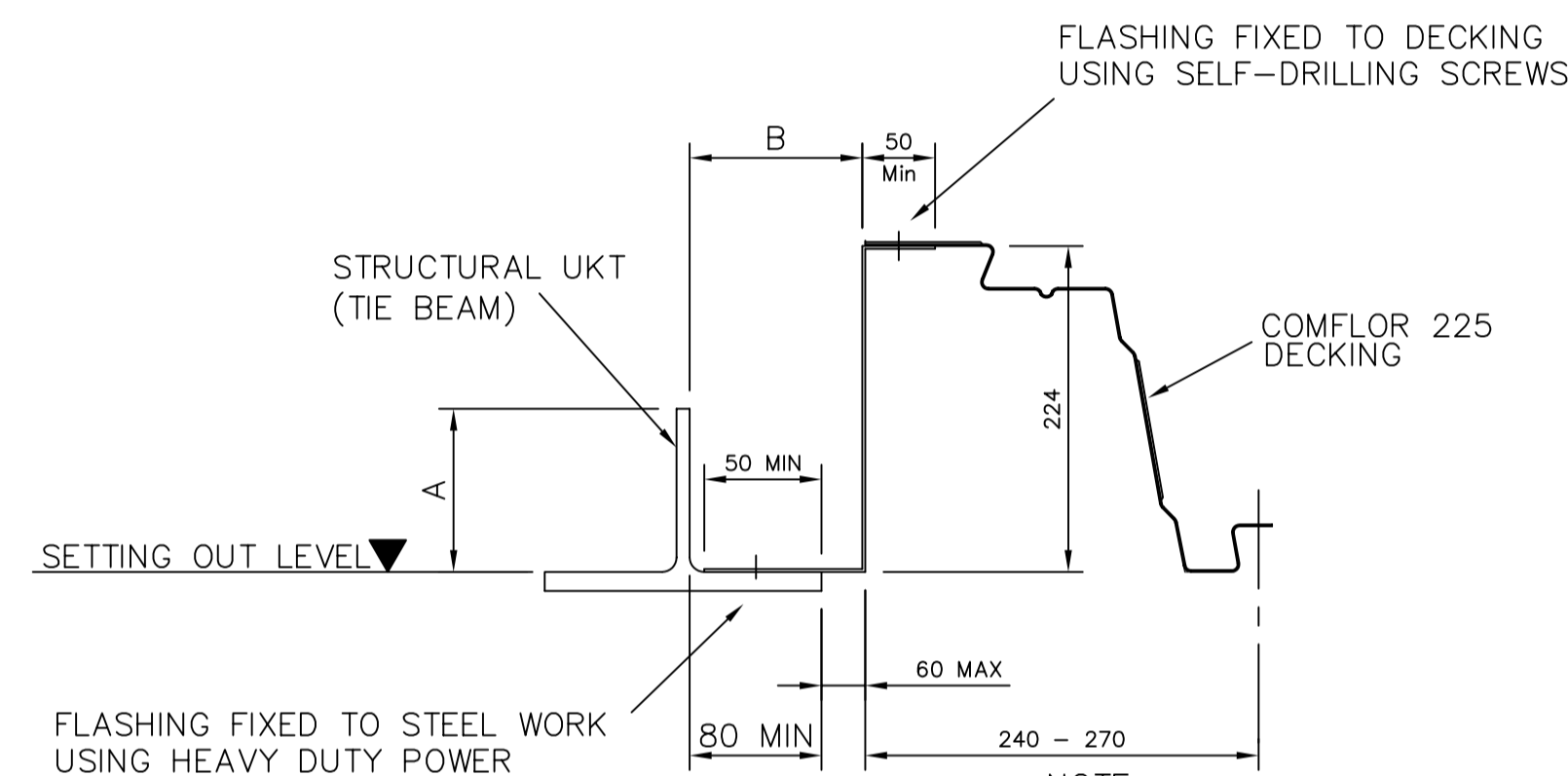


FLASHING FIXED TO STEEL WORK USING HEAVY DUTY POWER ACTUATED FASTENINGS

NOTE  
IF DIM. A > 150 THEN DIM. B = 100 MIN.  
IF DIM. A < 150 THEN DIM. B = 70 MIN.

SD54

"Z" CLOSURE FLASHING DETAILS  
370 - 405 DECK CUT TO UKT

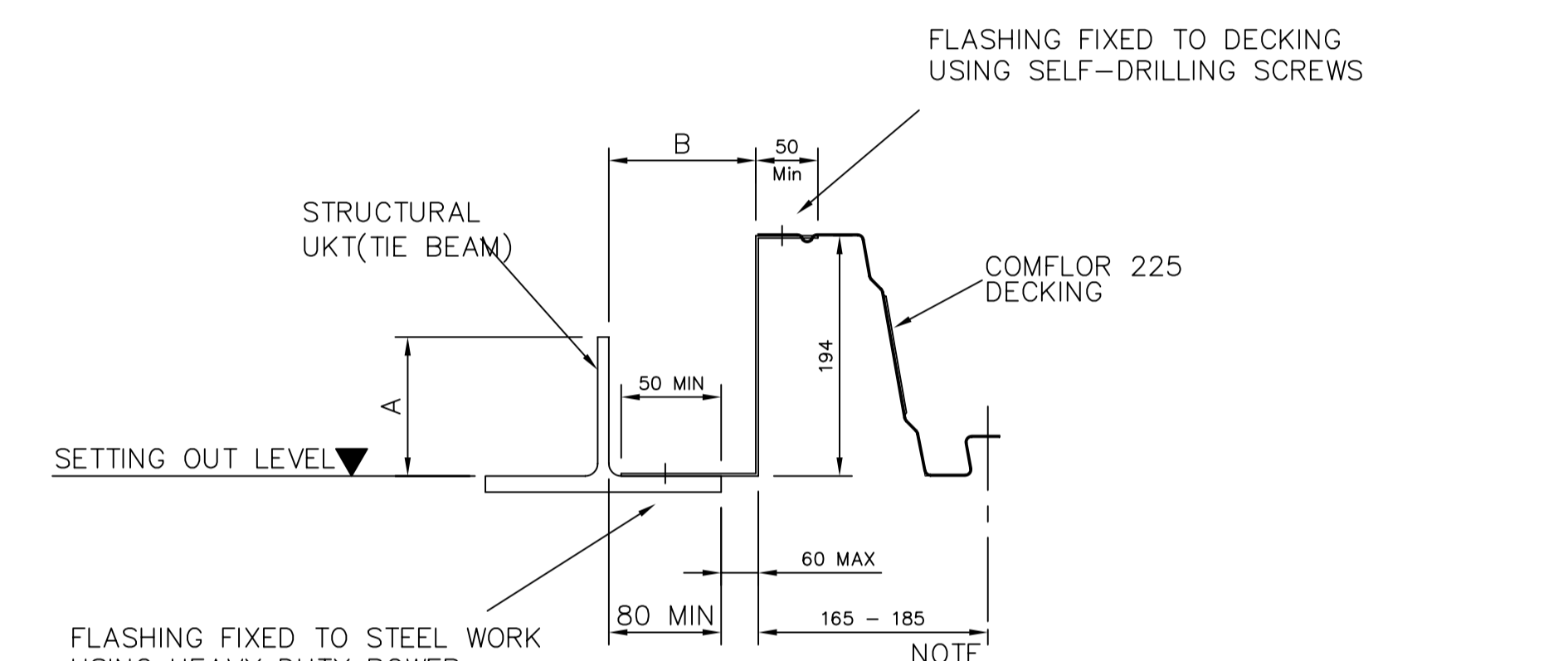


FLASHING FIXED TO STEEL WORK USING HEAVY DUTY POWER ACTUATED FASTENINGS

NOTE  
IF DIM. A > 150 THEN DIM. B = 100 MIN.  
IF DIM. A < 150 THEN DIM. B = 70 MIN.

SD55

"Z" CLOSURE FLASHING DETAILS  
240 - 270 DECK CUT TO UKT

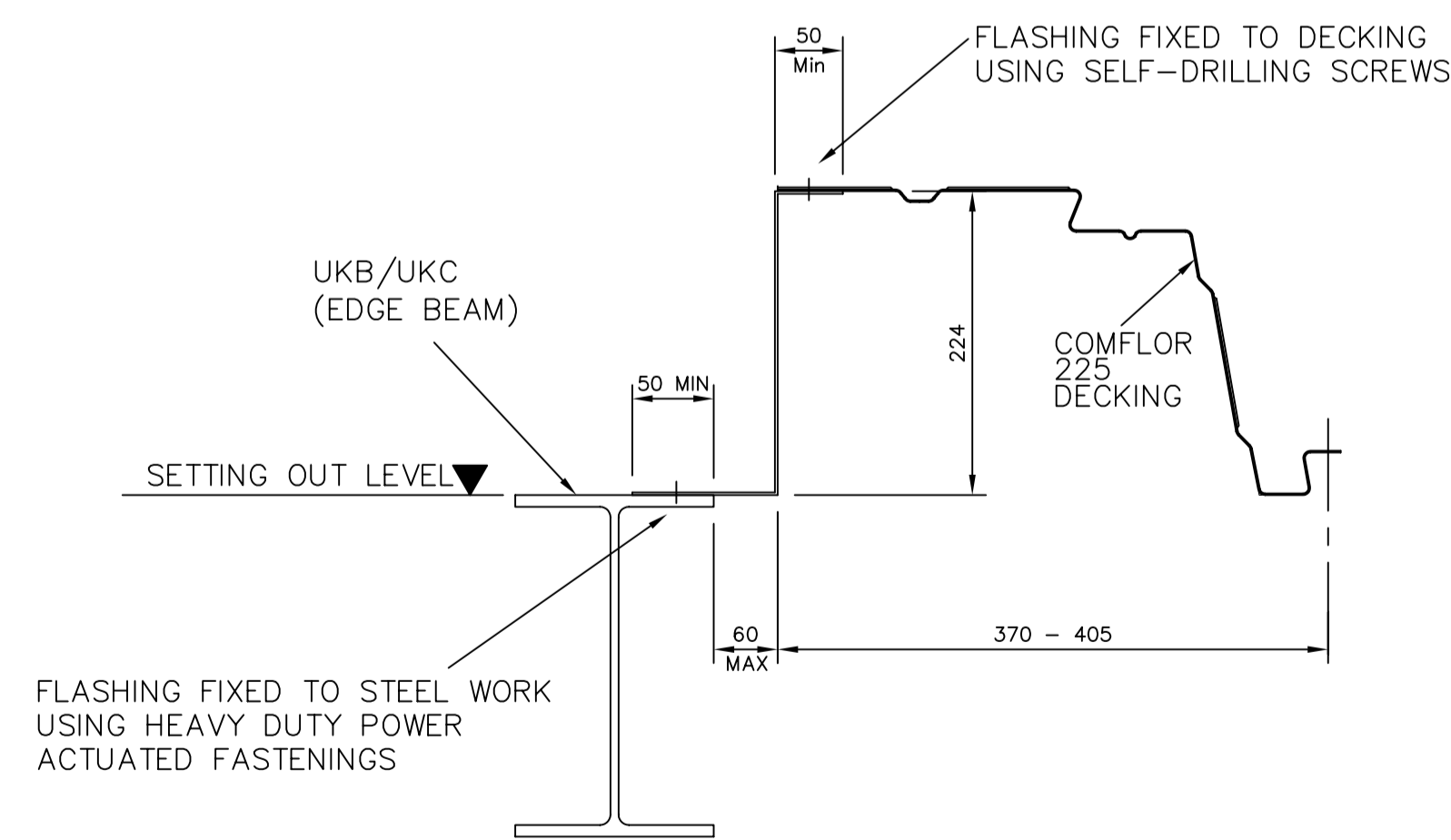


FLASHING FIXED TO STEEL WORK USING HEAVY DUTY POWER ACTUATED FASTENINGS

NOTE  
IF DIM. A > 150 THEN DIM. B = 100 MIN.  
IF DIM. A < 150 THEN DIM. B = 70 MIN.

SD56

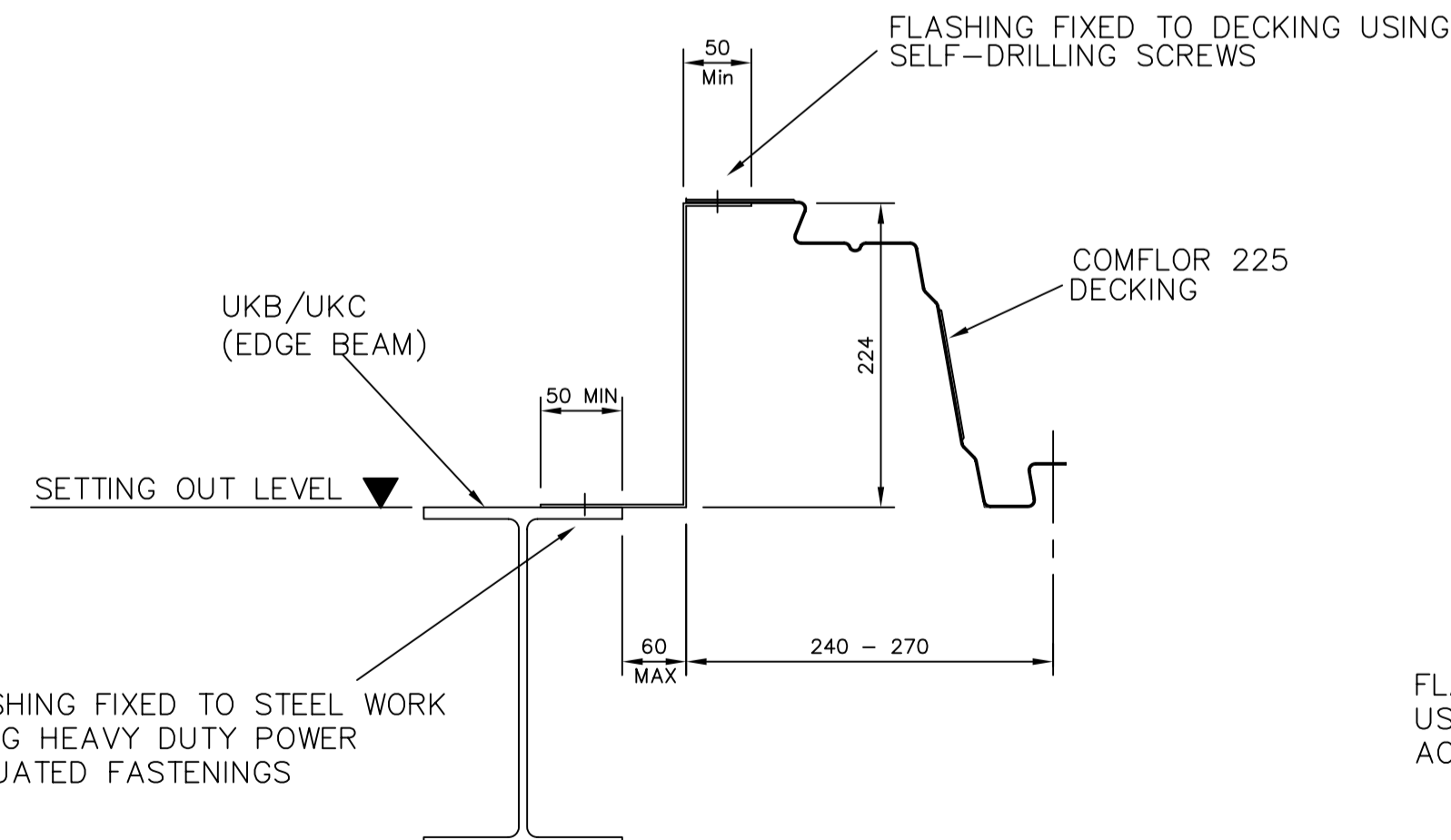
"Z" CLOSURE FLASHING DETAILS  
165 - 185 DECK CUT TO UKT



FLASHING FIXED TO STEEL WORK USING HEAVY DUTY POWER ACTUATED FASTENINGS

SD57

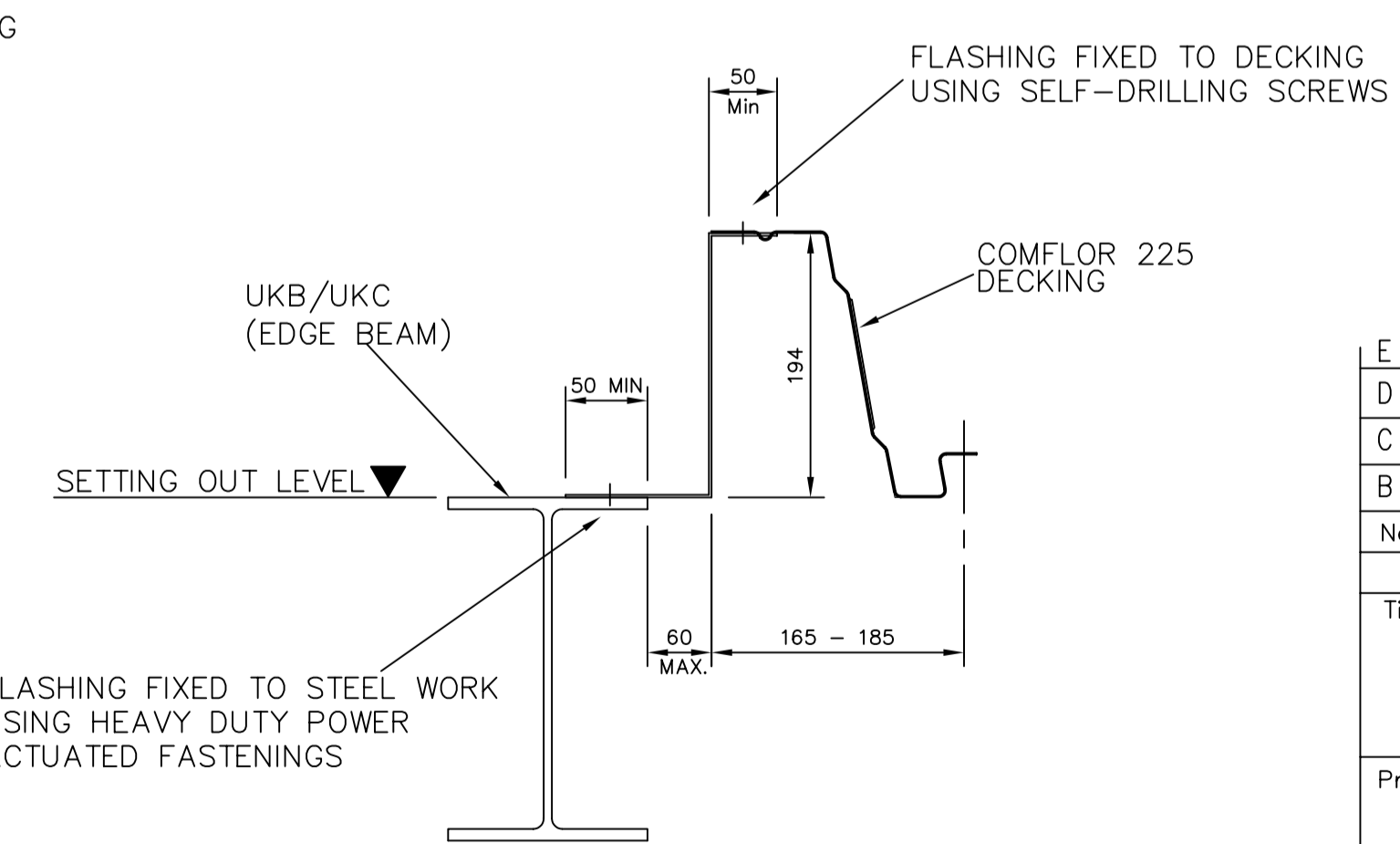
"Z" CLOSURE FLASHING DETAILS  
370 - 405 DECK CUT TO DOWN STAND UKB/UKC



FLASHING FIXED TO STEEL WORK USING HEAVY DUTY POWER ACTUATED FASTENINGS

SD58

"Z" CLOSURE FLASHING DETAILS  
240 - 270 DECK CUT TO DOWN STAND UKB/UKC




FLASHING FIXED TO STEEL WORK USING HEAVY DUTY POWER ACTUATED FASTENINGS

SD59

"Z" CLOSURE FLASHING DETAILS  
165 - 185 DECK CUT TO DOWN STAND UKB/UKC

E	29/5/11	Company logo changed	DR	PNW
D	19/05/08	Updated with comments from P&P	DR	PNW
C	7/11/07	Drawing Updated	BWA	
B	27/4/01	Drawing Updated	SJS	CLB
No.	Date	Description	By	Chk'd

Drawing Revisions				
Title				
<b>TYPICAL DECK CUTTING DETAILS</b>				
Project				
<b>SLIMDEK TYPICAL DETAILS</b>				
Drawn	NW / DL		 tel +44 (0)1724 405060	
Date	April 2001			
Checked				
Date				
Scale	1 : 5		Drawing No. BS-SD225-008	