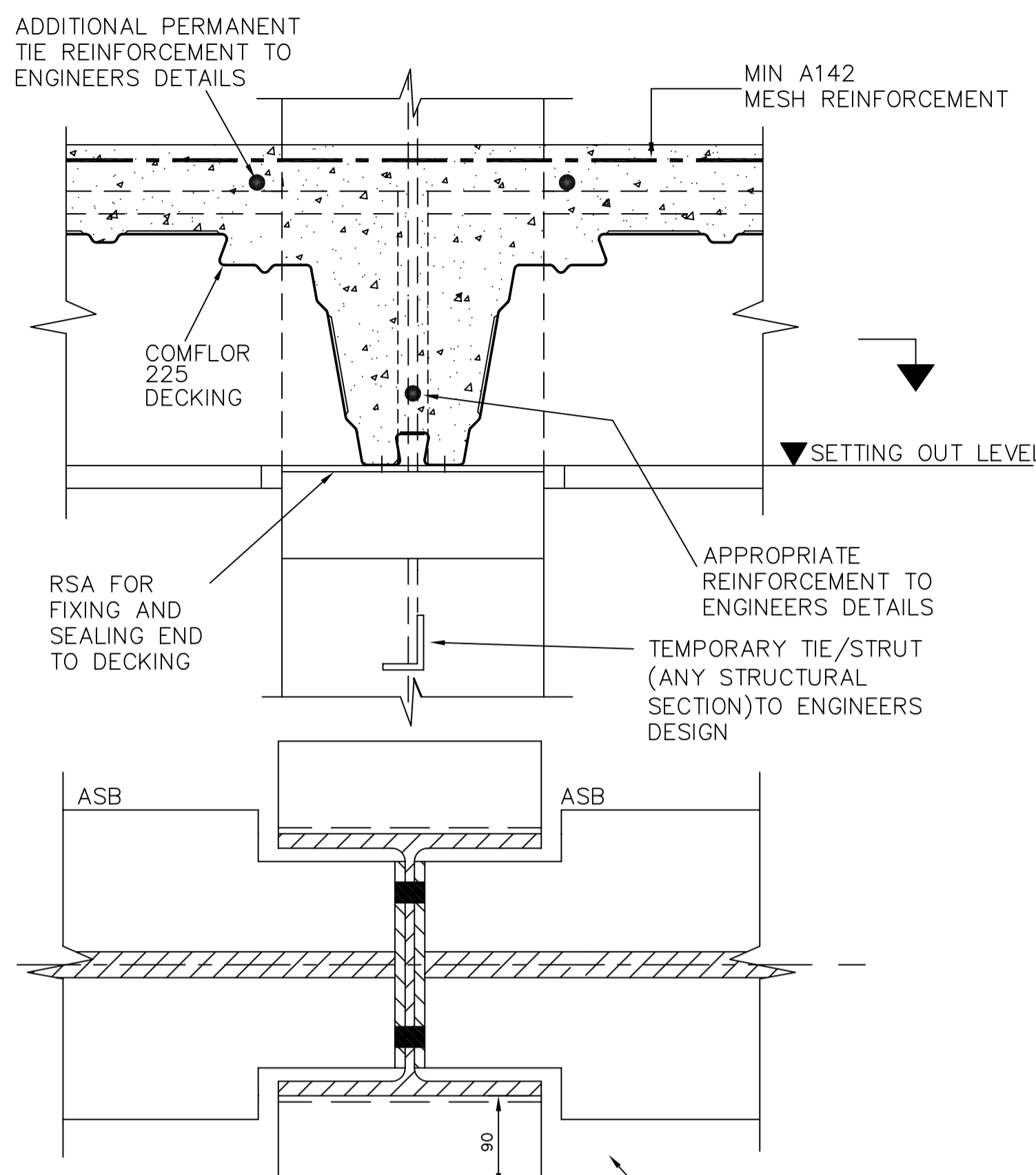
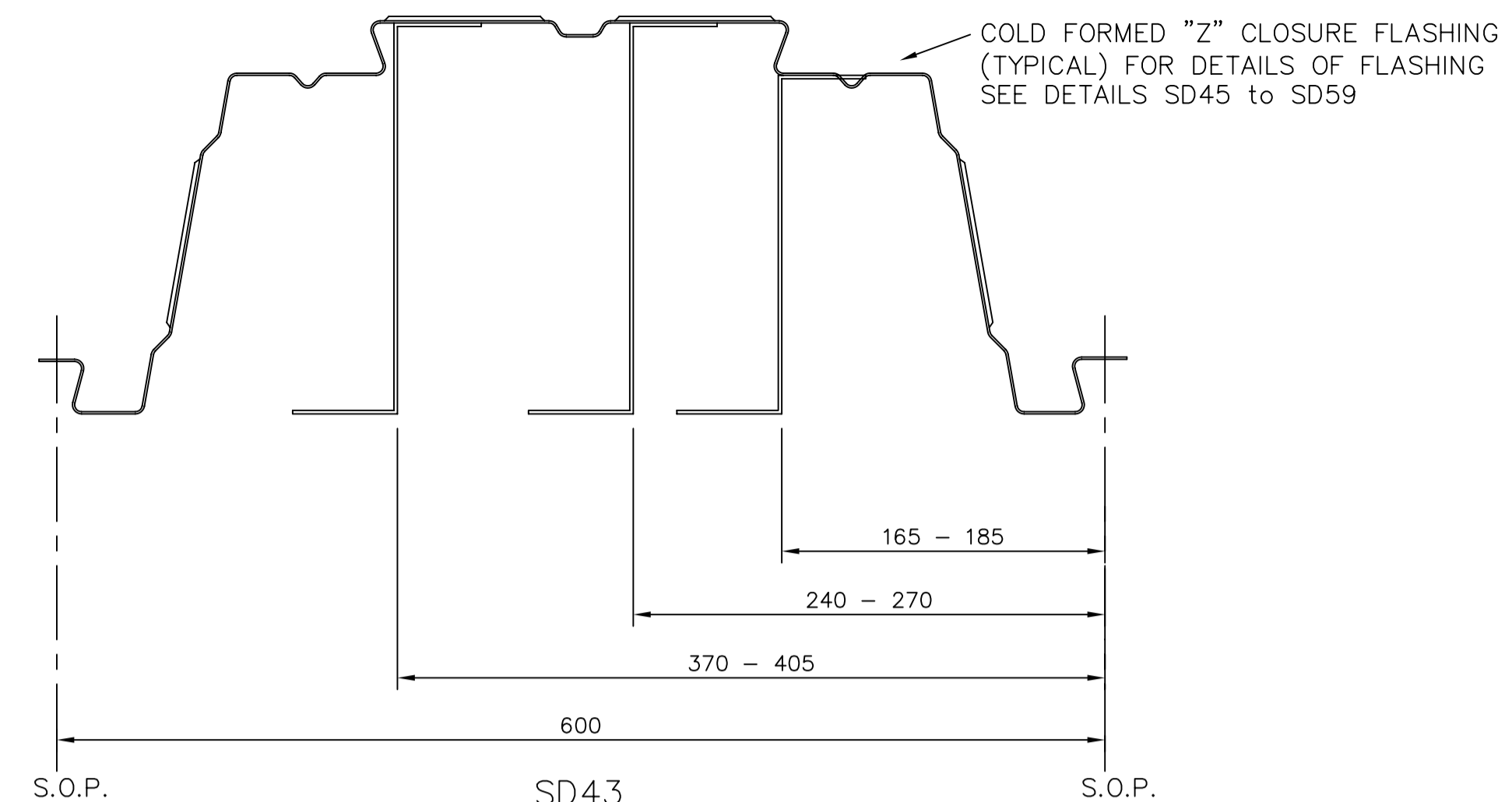


SD41
TYPICAL TEE 'TIE' DETAIL
DECK CUT TO SUIT GRID

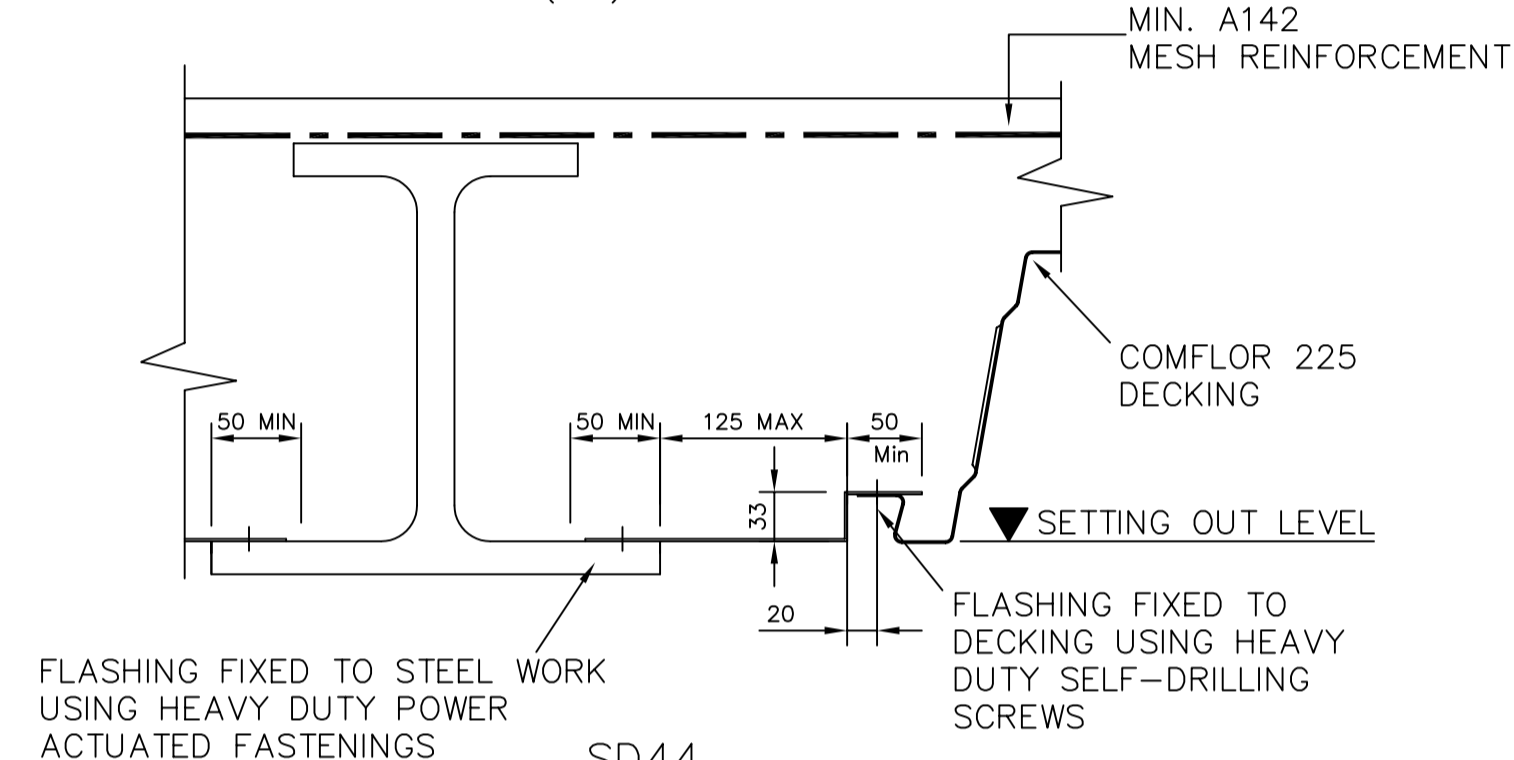
NOTE
IF DIM. A > 150 THEN DIM. B = 100 MIN.
IF DIM. A < 150 THEN DIM. B = 70 MIN.



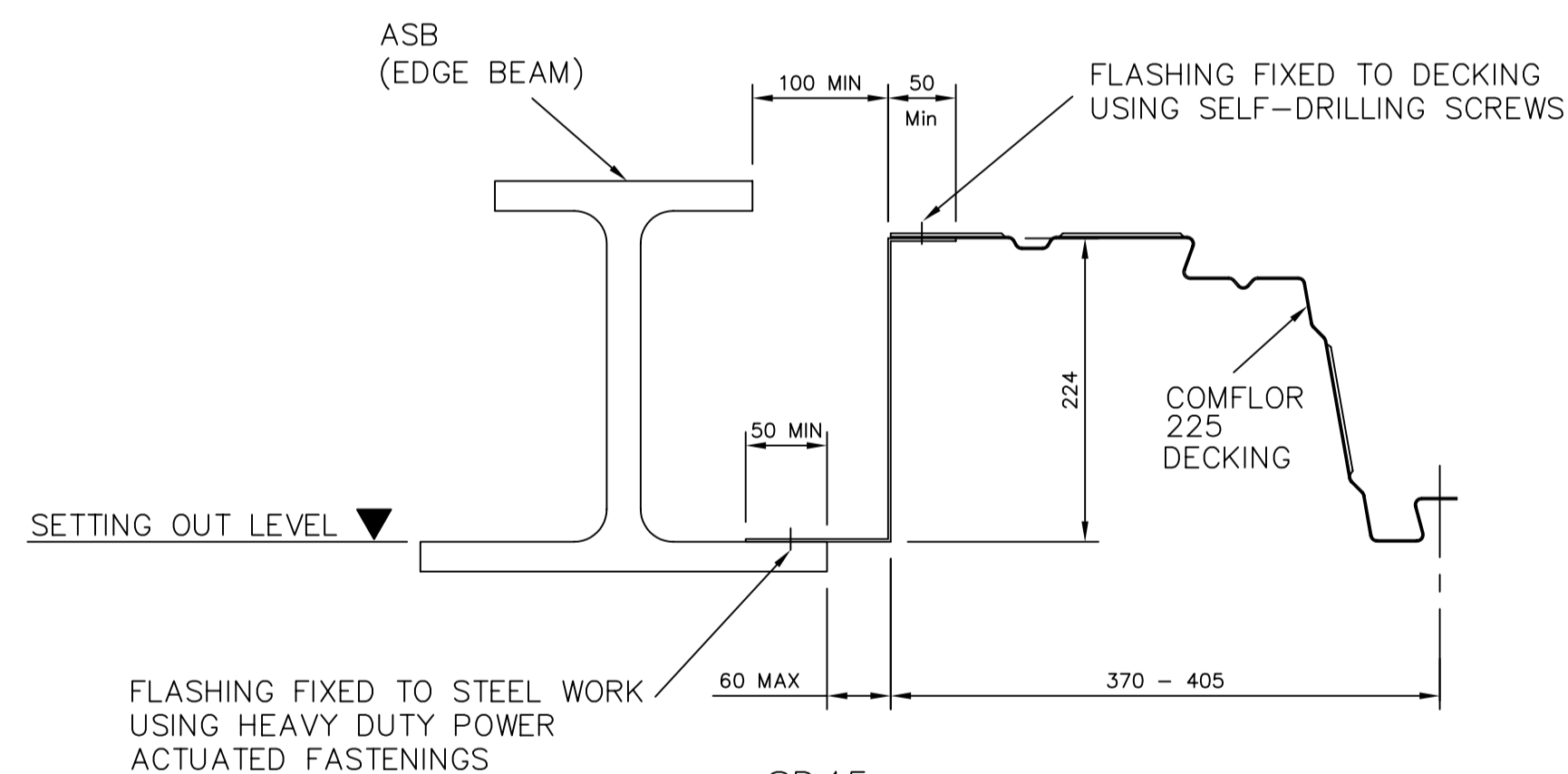
SD42
TYPICAL TEMPORARY TIE DETAIL
UP TO 4 STOREYS



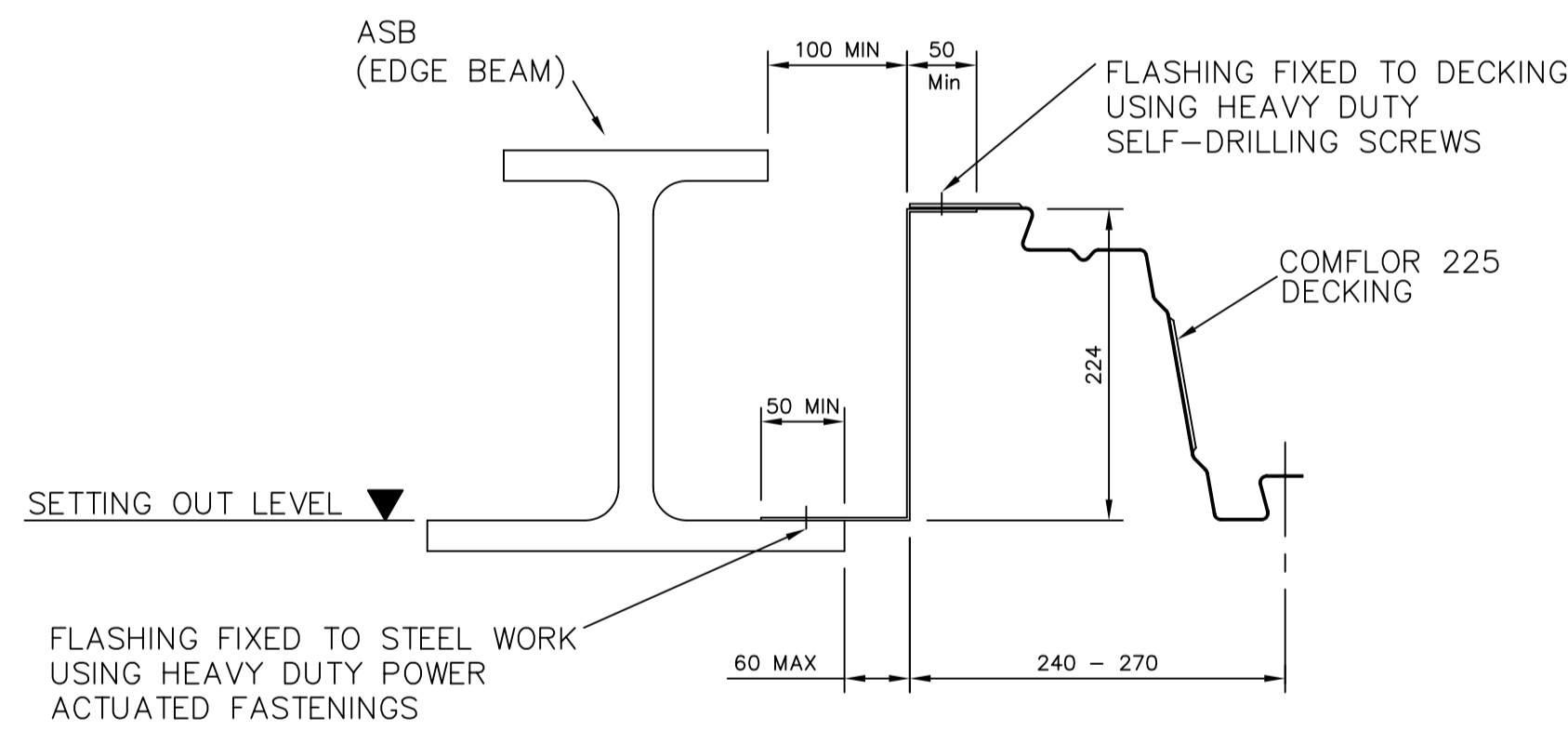
SD43
PERMISSIBLE CUTTING LOCATIONS OF COMFLOR 225 DECKING
(NTS)



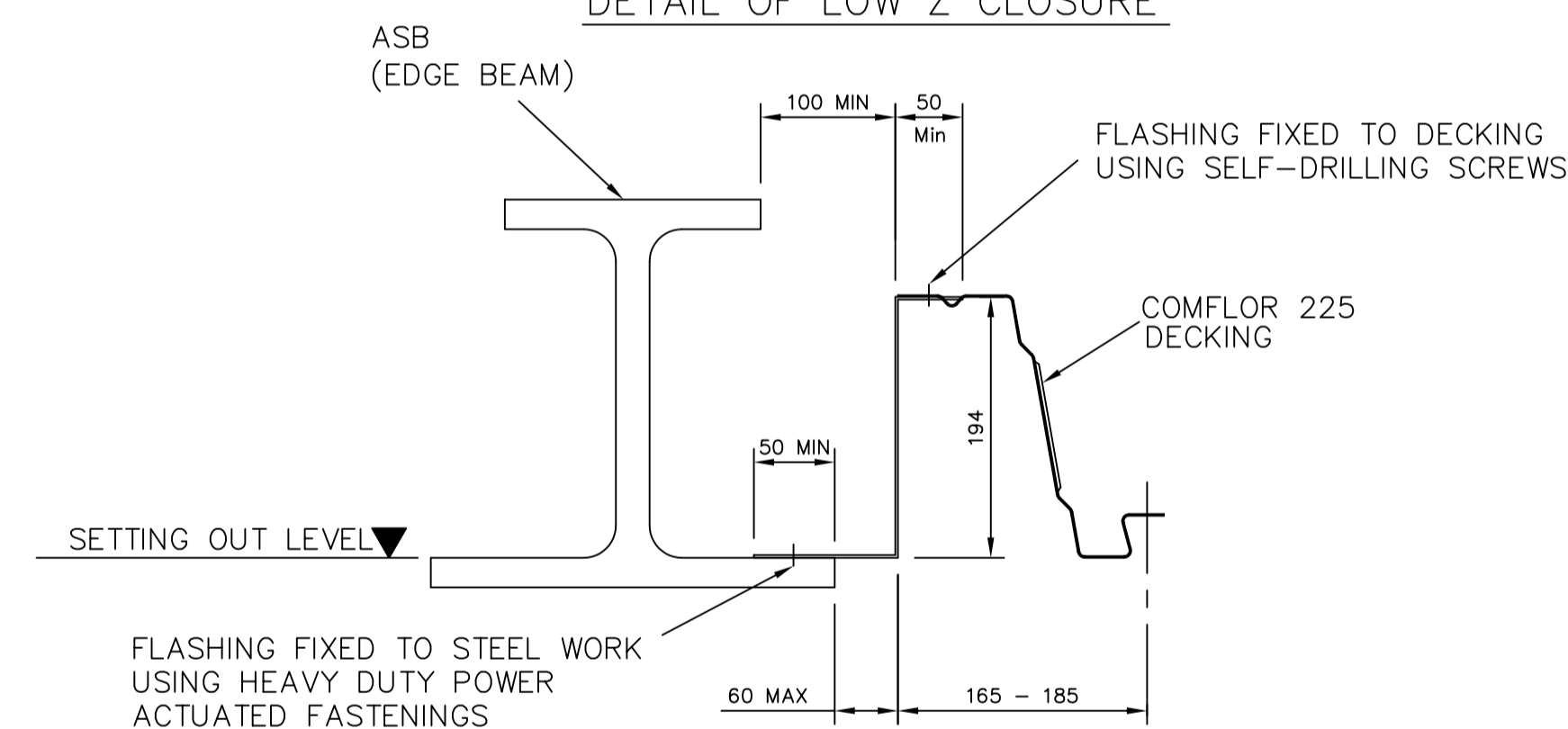
SD44
DETAIL OF LOW Z CLOSURE



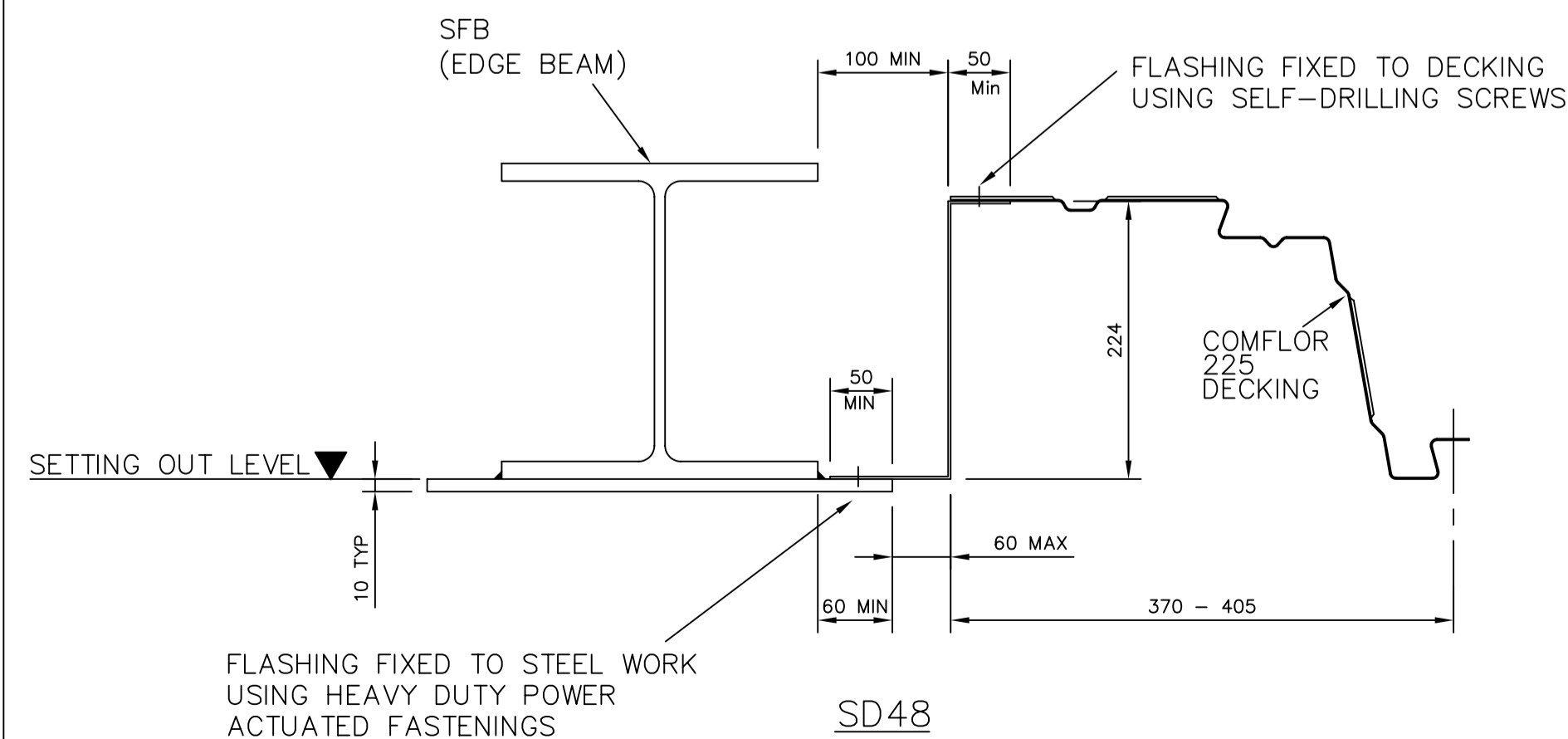
SD45
"Z" CLOSURE FLASHING DETAILS
370 - 405 DECK CUT TO ASB



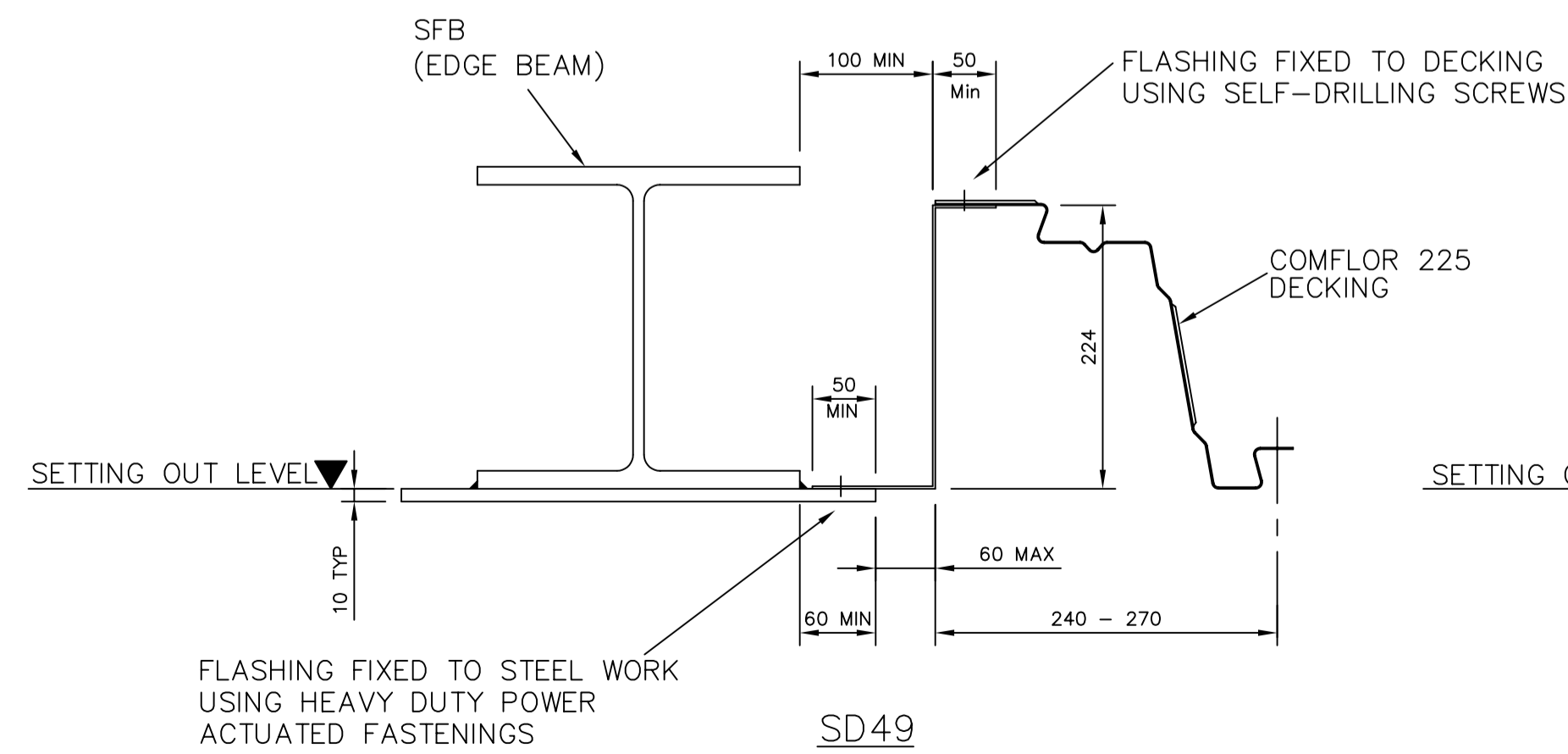
SD46
"Z" CLOSURE FLASHING DETAILS
240 - 270 DECK CUT TO ASB



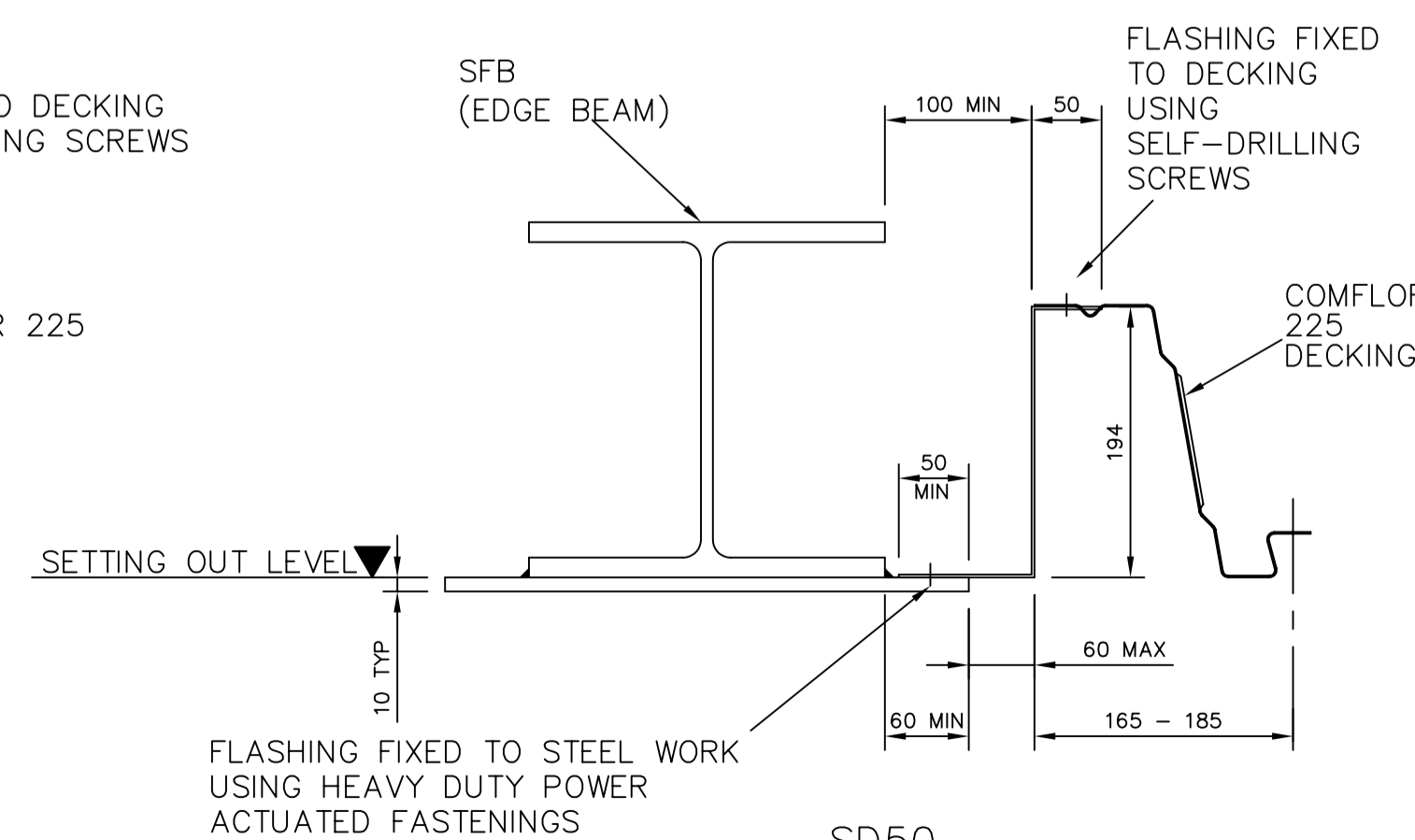
SD47
"Z" CLOSURE FLASHING DETAILS
165 - 185 DECK CUT TO ASB



SD48
"Z" CLOSURE FLASHING DETAILS
370 - 405 DECK CUT TO SLIMFLOR BEAM




SD49
"Z" CLOSURE FLASHING DETAILS
240 - 270 DECK CUT TO SLIMFLOR BEAM



SD50
"Z" CLOSURE FLASHING DETAILS
165 - 185 DECK CUT TO SLIMFLOR BEAM

E	29/5/11	Company logo changed	DR	PNW
D	19/05/08	Updated with comments from P&P	DR	PNW
C	7/11/07	Drawing Updated	BWA	
B	27/4/01	Drawing Updated	SJS	CLB
No.	Date	Description	By	Chk'd

Drawing Revisions				
Title TYPICAL TIE & CUTTING DETAILS				
Project SLIMDEK TYPICAL DETAILS				
Drawn	NW / DL		 tel +44 (0)1724 405060	
Date	April 2001			
Checked				
Date				
Scale	1 : 5		Drawing No. BS-SD225-007	