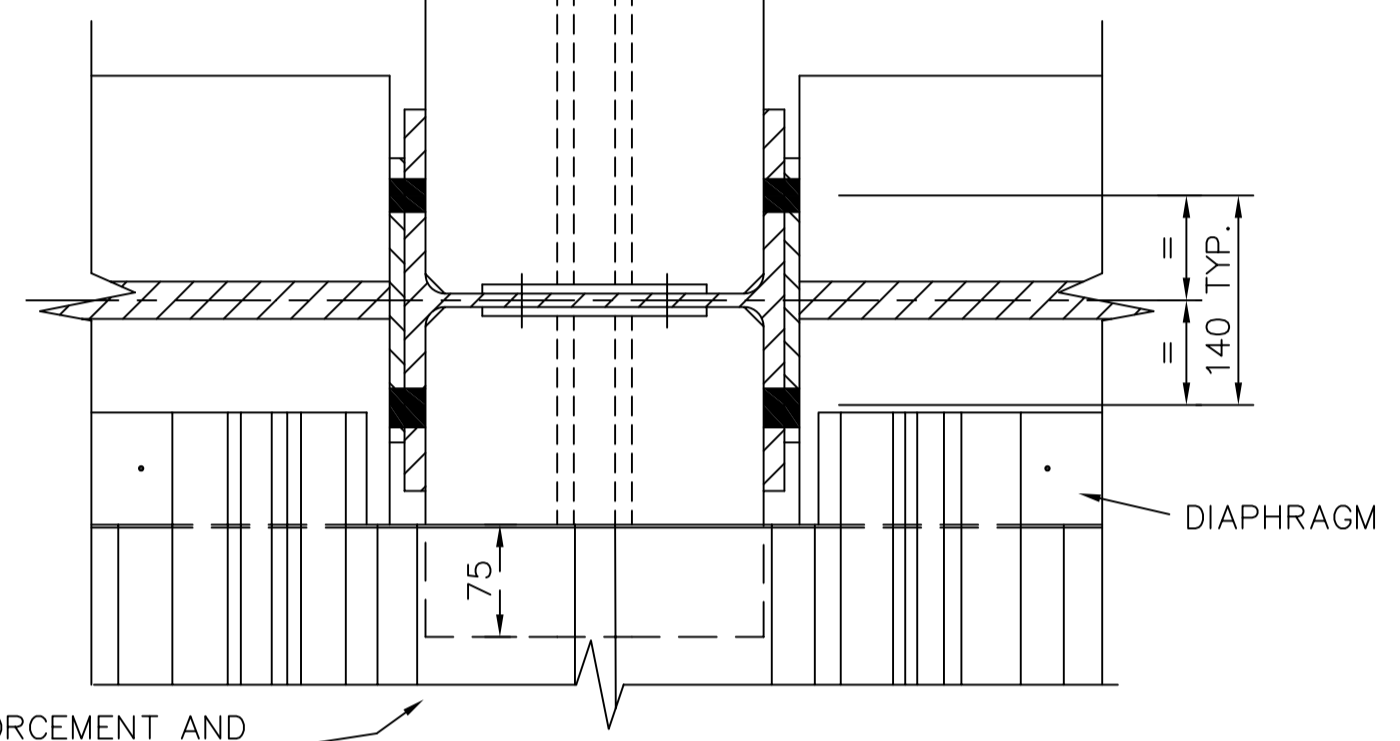
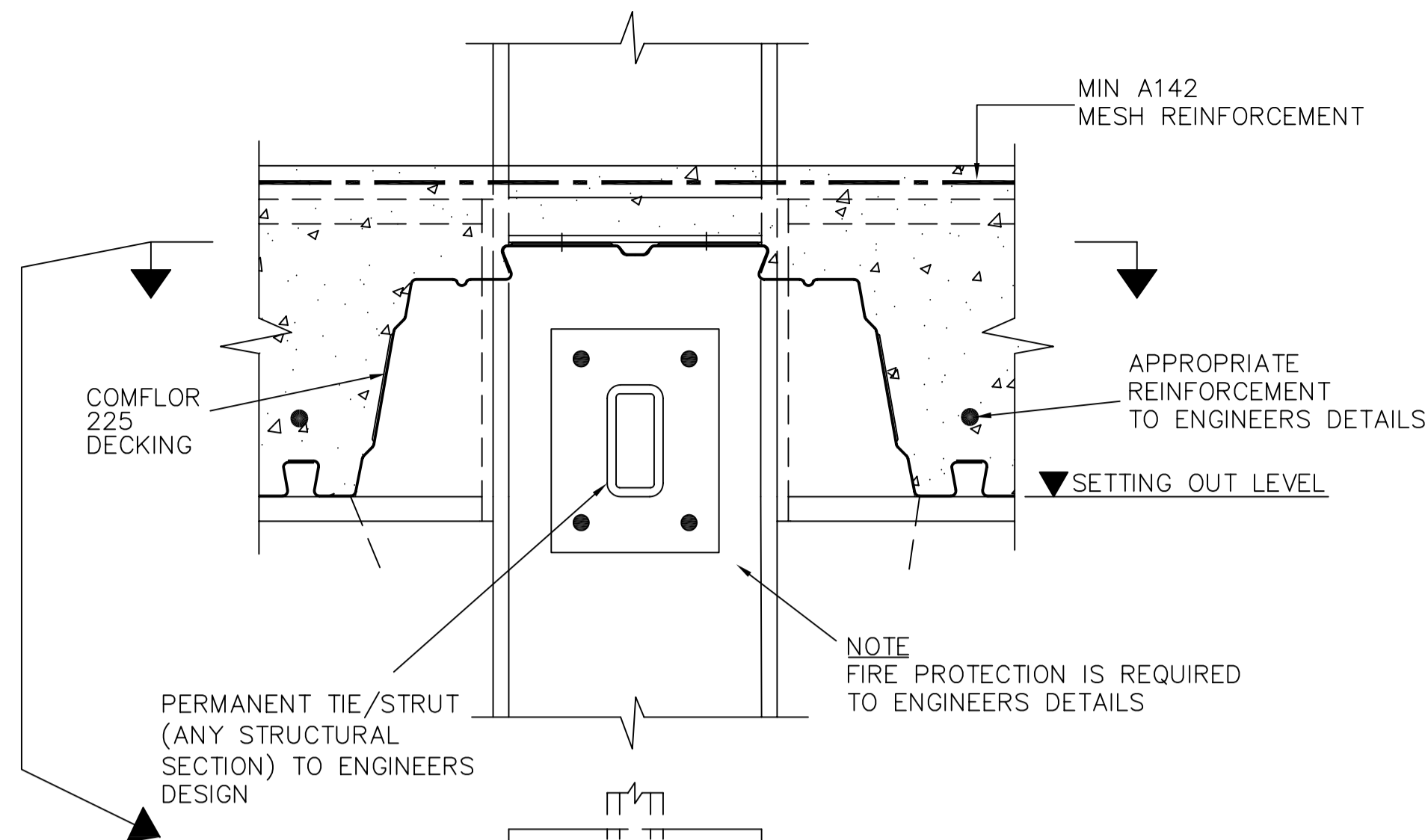
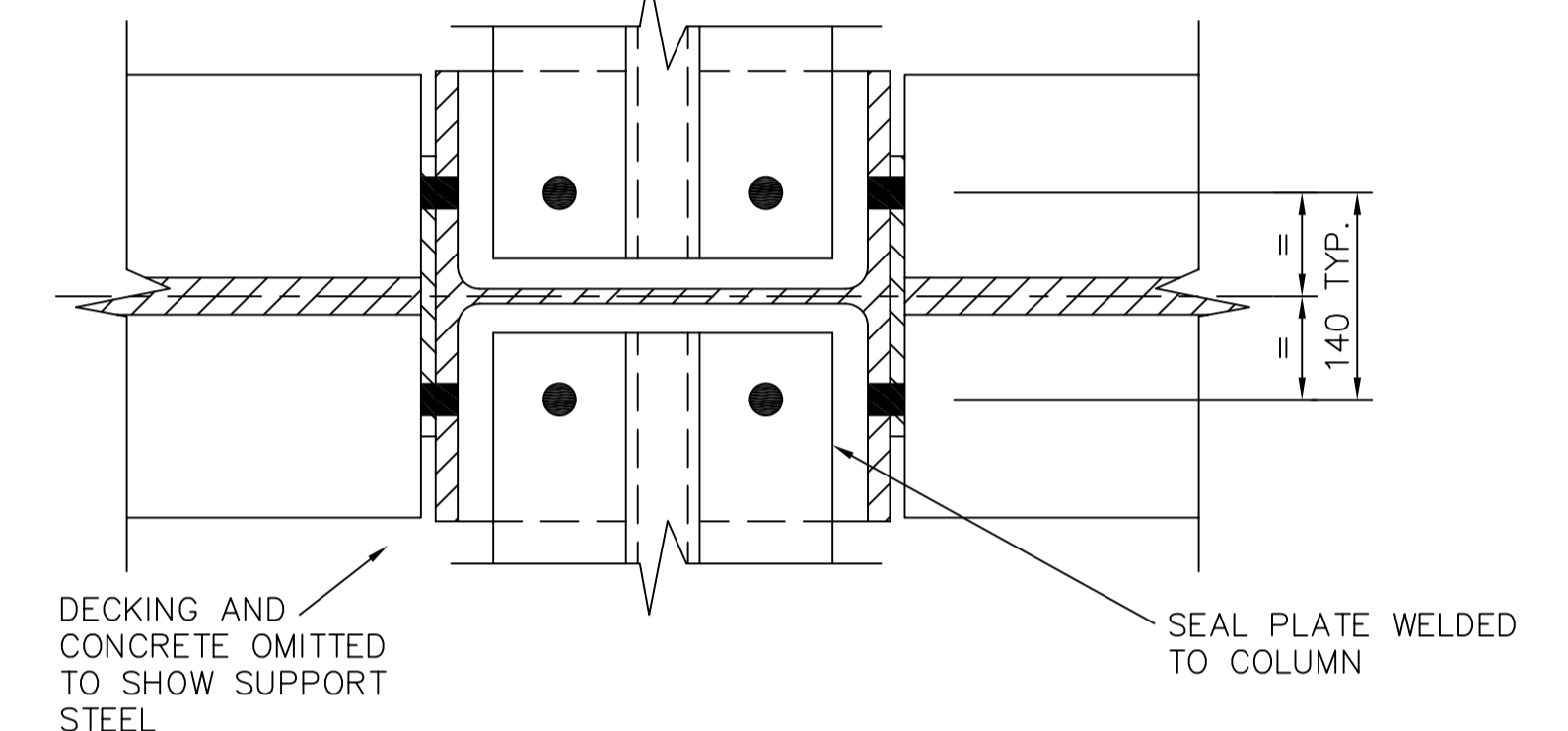
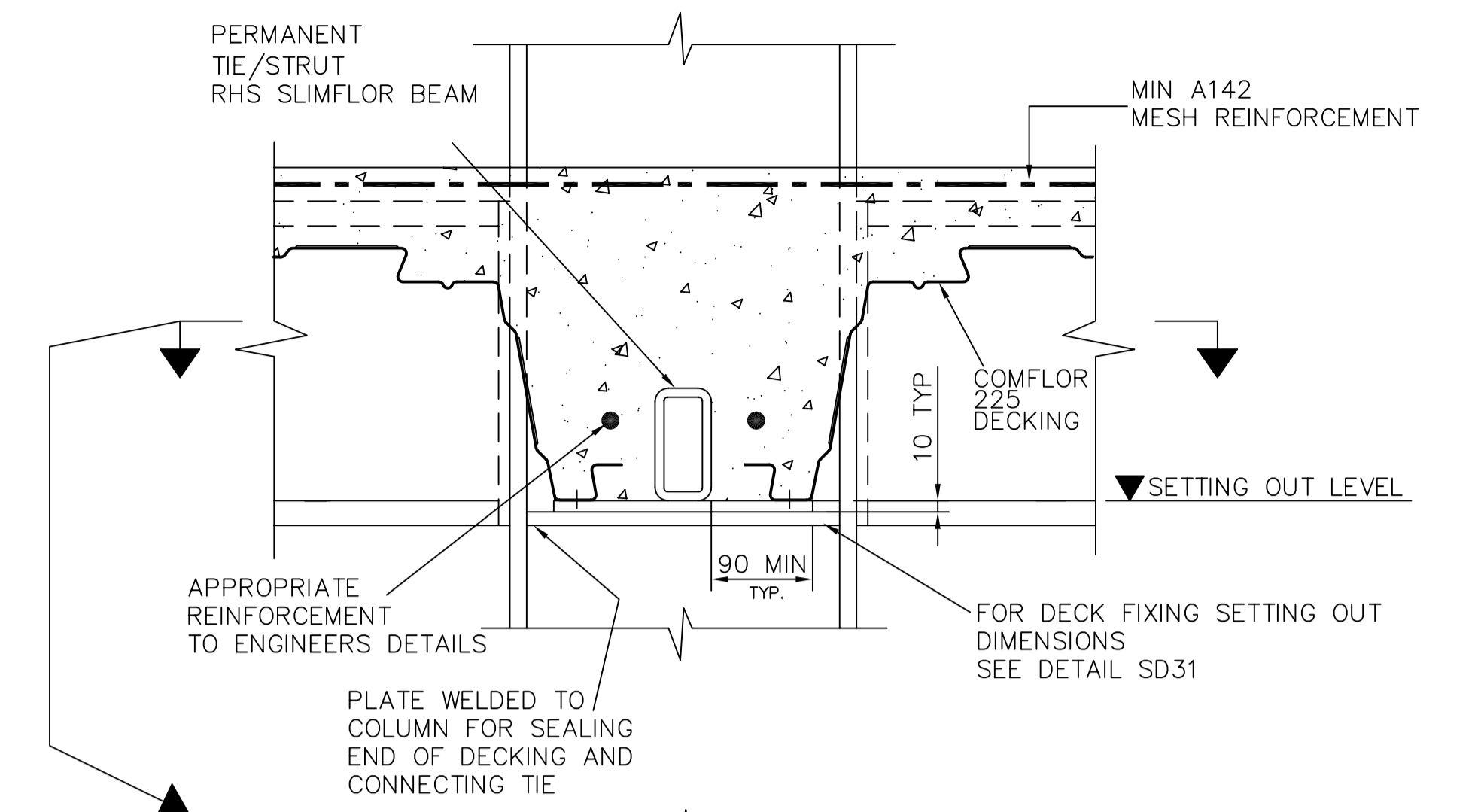


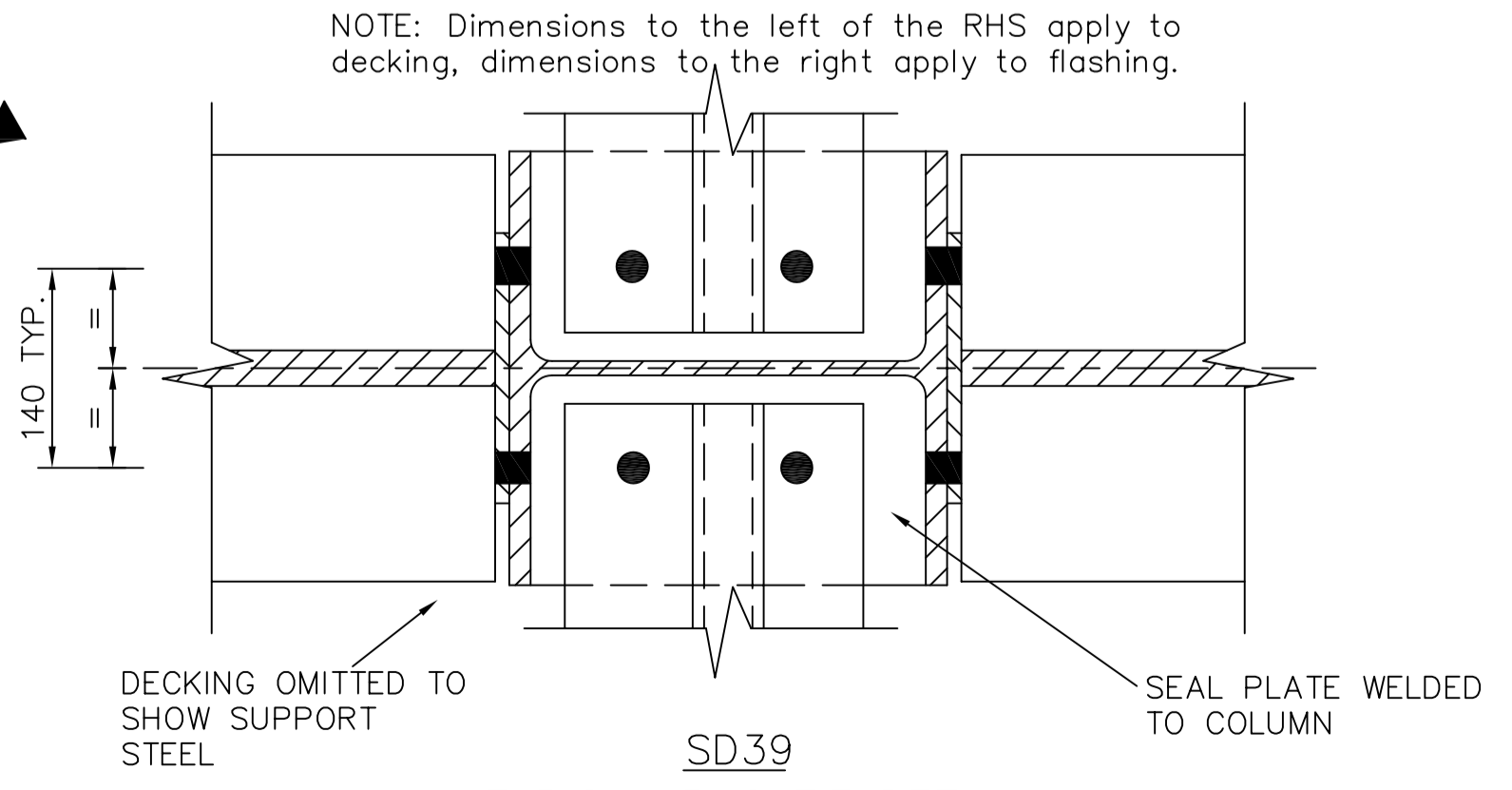
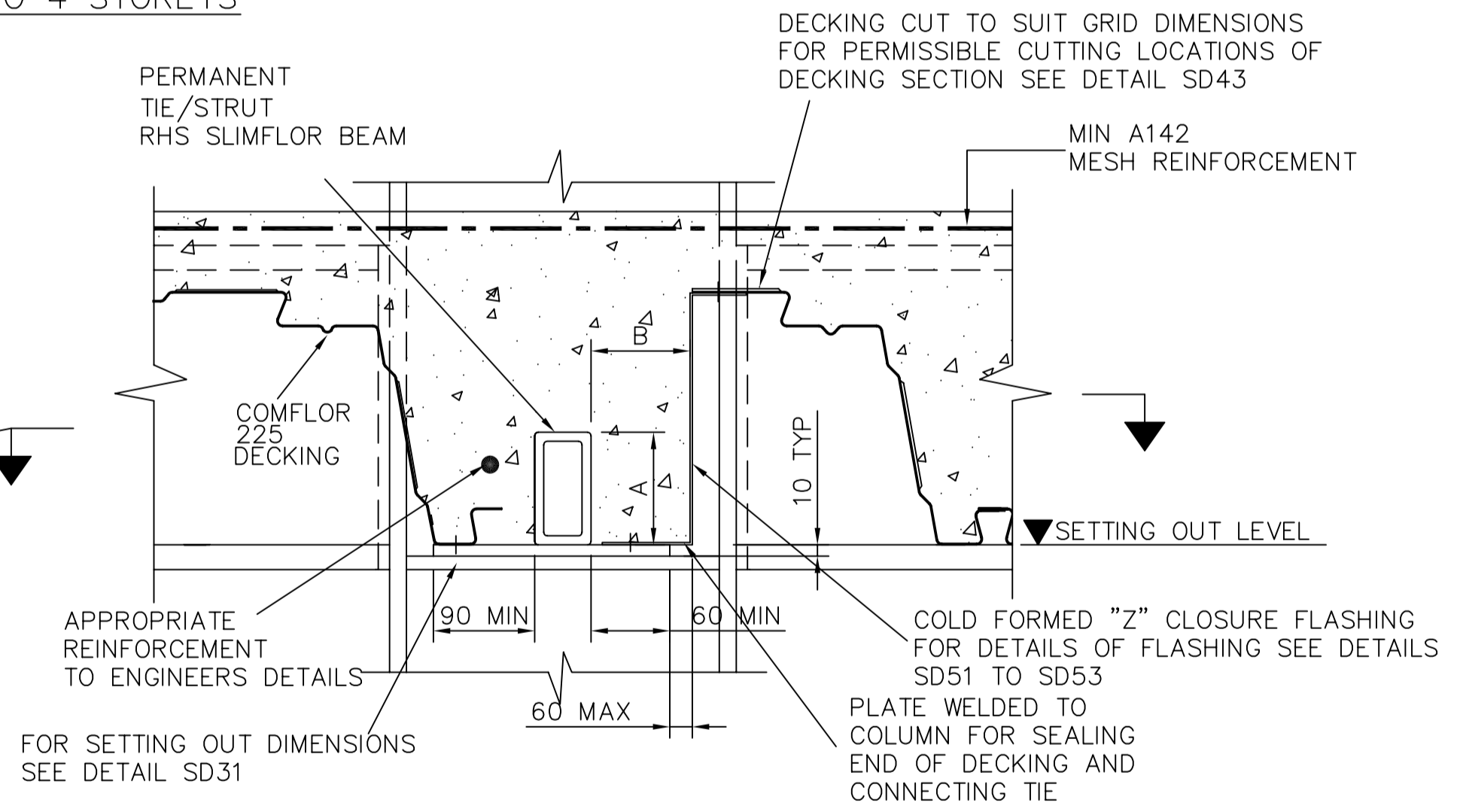
SD36
TYPICAL TEMPORARY 'TIE' DETAIL
UP TO 4 STOREYS



SD37
TYPICAL PERMANENT 'TIE' DETAIL
DECK SPANNING OVER 'TIE'

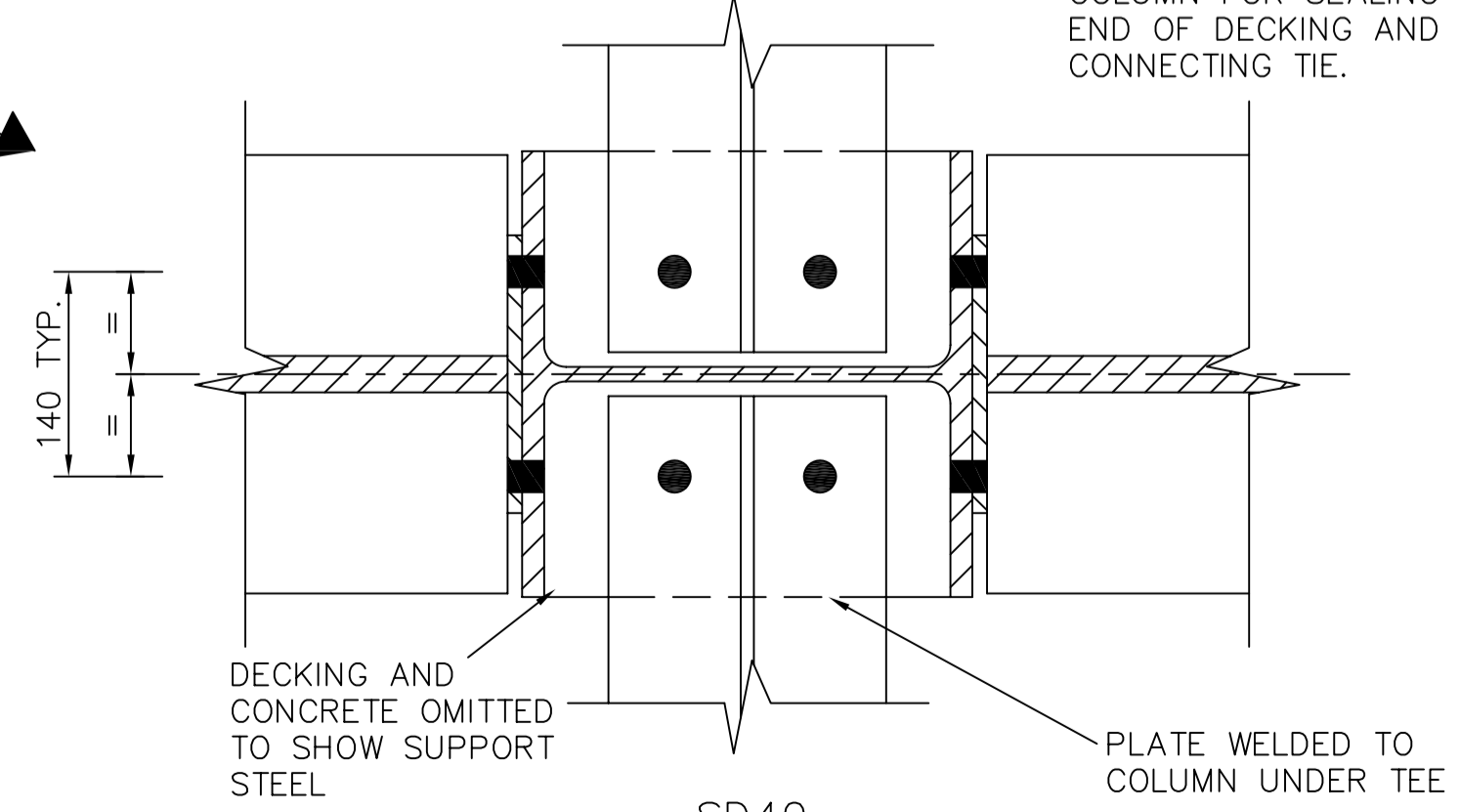
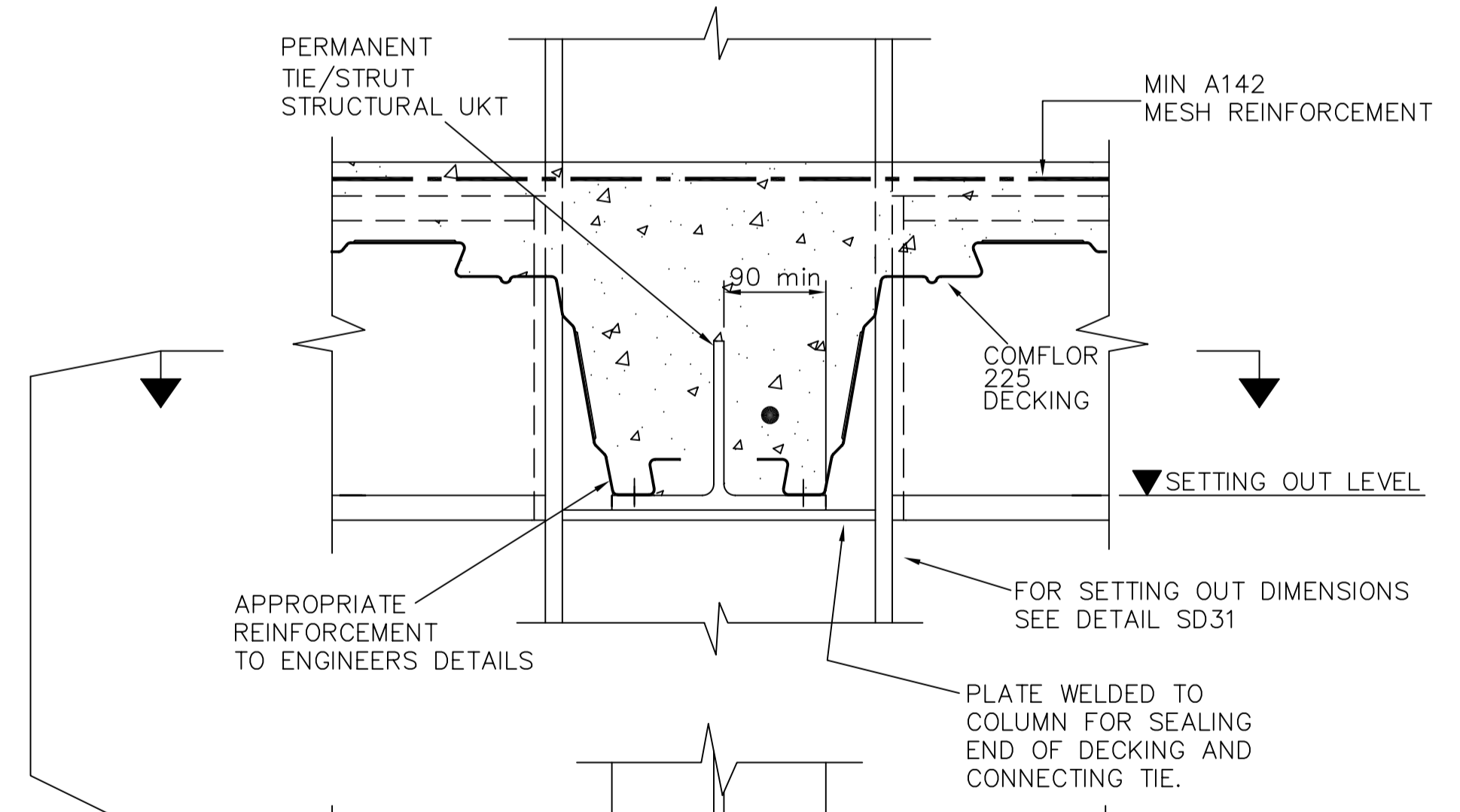


SD38
TYPICAL RHS TIE DETAIL



SD39
TYPICAL RHS TIE DETAIL
DECK CUT TO SUIT GRID

NOTE
IF DIM. A > 150 THEN DIM. B = 100 MIN
IF DIM. A < 150 THEN DIM. B = 70 MIN
Care has been taken to ensure that this information is accurate, but TATA Steel UK Limited, and its subsidiaries, does not accept responsibility or liability for errors or for information which is found to be misleading.



SD40
TYPICAL PERMANENT TEE 'TIE' DETAIL

E	29/5/11	Company logo changed	DR	PNW
D	19/05/08	Updated with comments from P&P	DR	PNW
C	7/11/07	Drawing Updated		BWA
B	27/4/01	Drawing Updated		SJS CLB
No.	Date	Description	By	Chk'd

Drawing Revisions
Title
TYPICAL DECK / BEAM INTERFACE & TIE DETAILS

Project
SLIMDEK TYPICAL DETAILS

Drawn NW / DL
Date April 2001
Checked
Date
Scale 1 : 5
Drawing No. BS-SD225-006



tel +44 (0)1724 405060