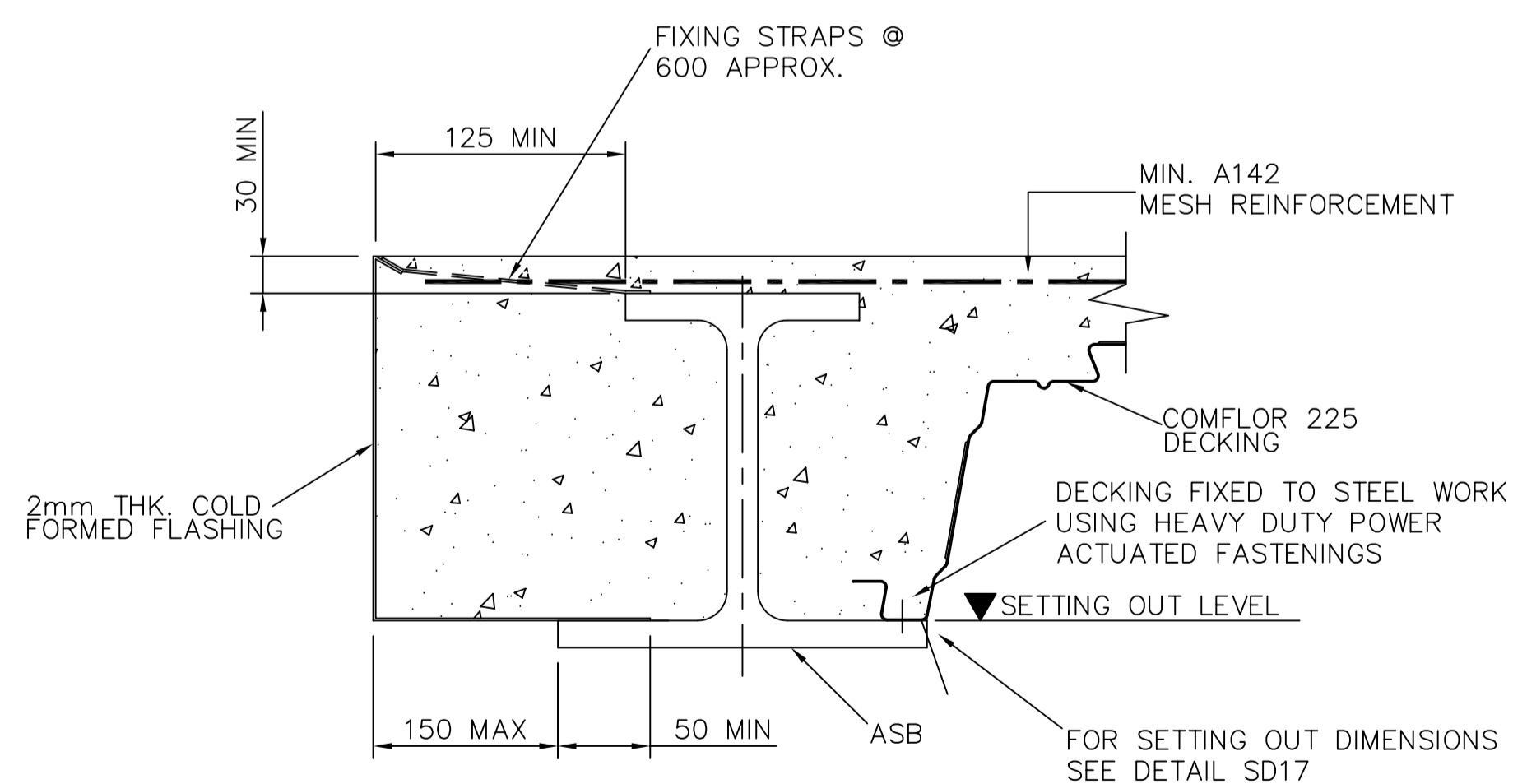
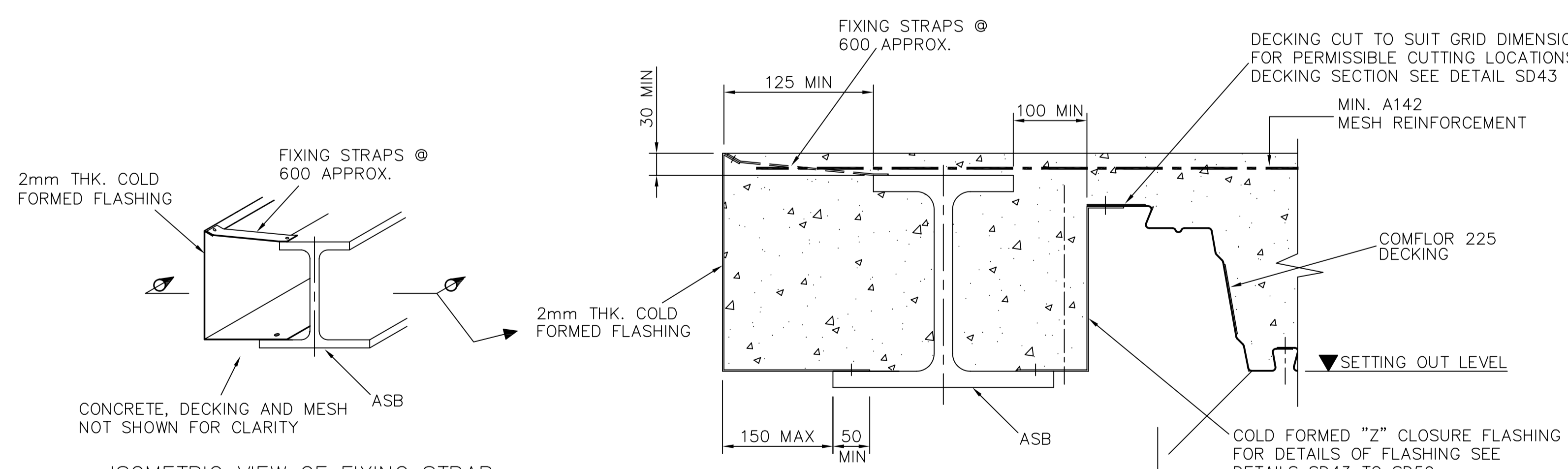


NOTE
EDGE BEAMS MAY NEED TO BE DESIGNED TO ACT AS PERIPHERAL TIES TO ACCOMMODATE ROBUSTNESS REQUIREMENTS AND DISPROPORTIONATE COLLAPSE.



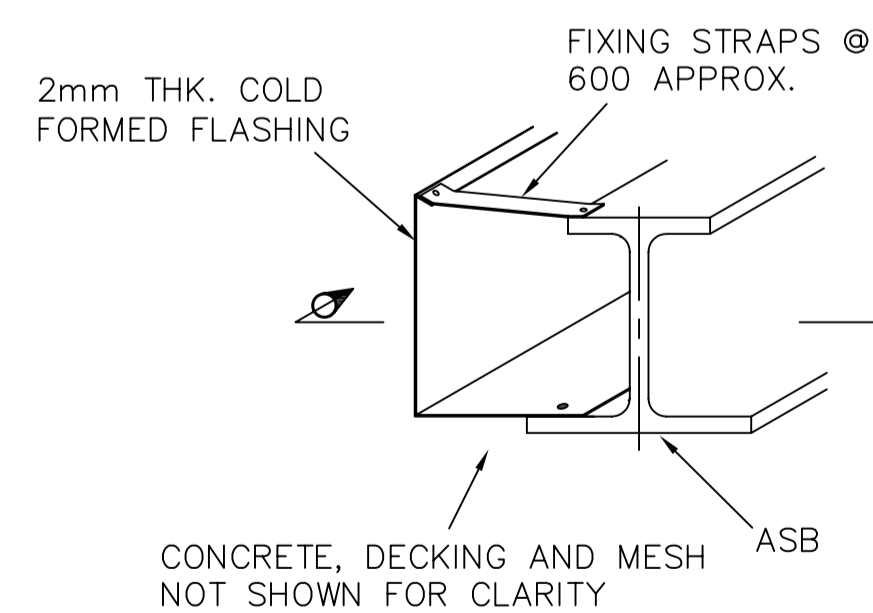
NOTE
EDGE BEAMS MAY NEED TO BE DESIGNED TO ACT AS PERIPHERAL TIES TO ACCOMMODATE ROBUSTNESS REQUIREMENTS AND DISPROPORTIONATE COLLAPSE.



NOTE
EDGE BEAMS MAY NEED TO BE DESIGNED TO ACT AS PERIPHERAL TIES TO ACCOMMODATE ROBUSTNESS REQUIREMENTS AND DISPROPORTIONATE COLLAPSE.

NOTE
EDGE BEAMS MAY NEED TO BE DESIGNED TO ACT AS PERIPHERAL TIES TO ACCOMMODATE ROBUSTNESS REQUIREMENTS AND DISPROPORTIONATE COLLAPSE.

ISOMETRIC VIEW OF FIXING STRAP



NOTE
EDGE BEAMS MAY NEED TO BE DESIGNED TO ACT AS PERIPHERAL TIES TO ACCOMMODATE ROBUSTNESS REQUIREMENTS AND DISPROPORTIONATE COLLAPSE.

E	29/5/11	Company logo changed	DR	PNW
D	16/05/08	Updated to CP&P comments	DR	PNW
C	7/11/07	Drawing Updated	BWA	
B	27/4/01	Drawing Updated	SJS	CLB
No.	Date	Description	By	Chk'd

Drawing Revisions				
Title	DECK PROFILE, END DIAPHRAGM & TYPICAL DECK / BEAM INTERFACE			
Project	SLIMDEK TYPICAL DETAILS			
Drawn	NW / DL	TATA STEEL		
Date	April 2001	tel +44 (0)1724 405060		
Checked		Scale 1 : 5		
Date		Drawing No. BS-SD225-003		