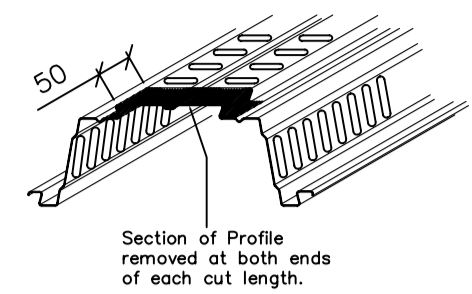
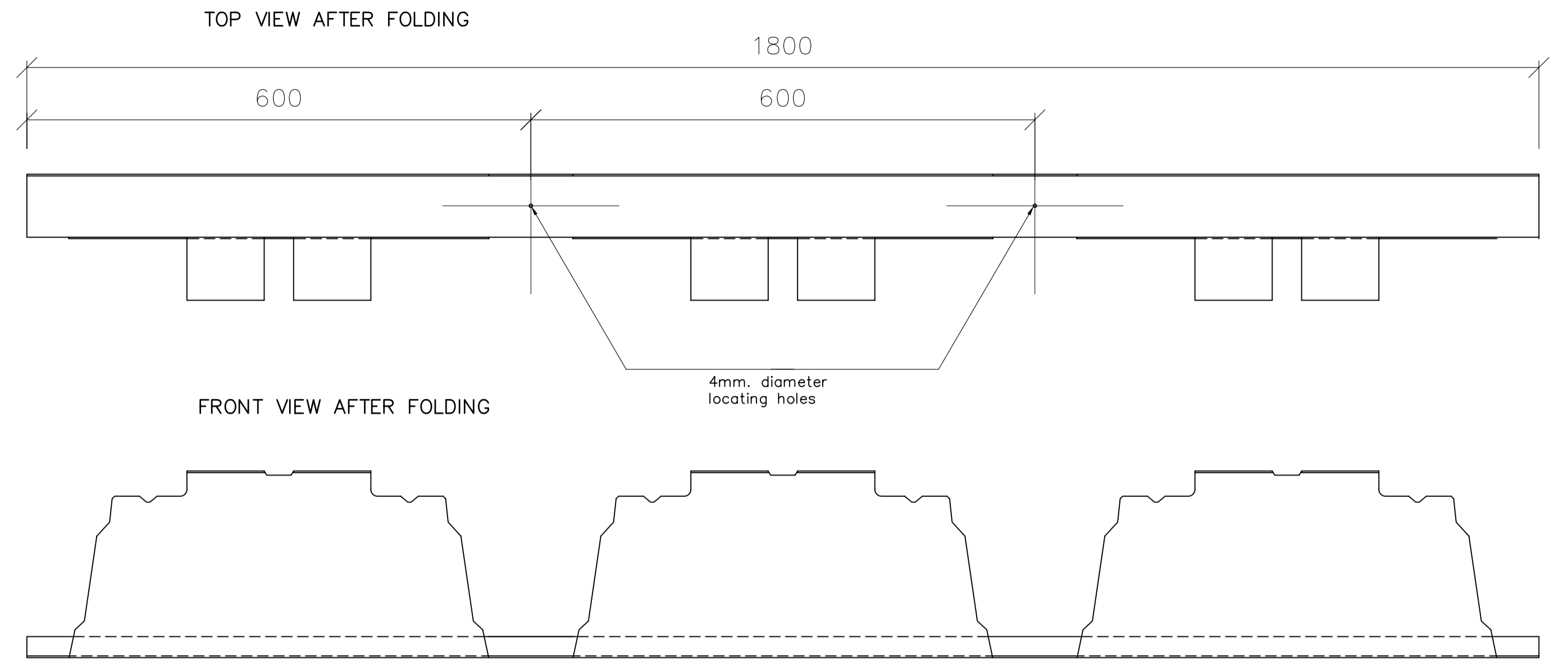
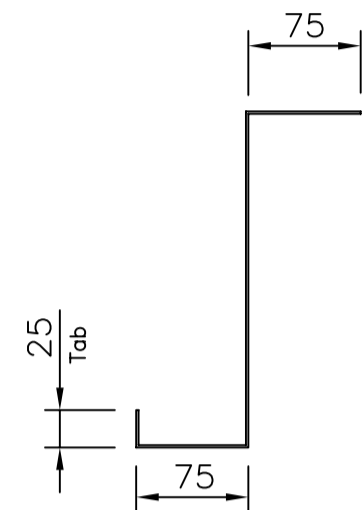


SD01
COMFLOR 225 DECK PROFILE DIMENSIONS
(NTS)



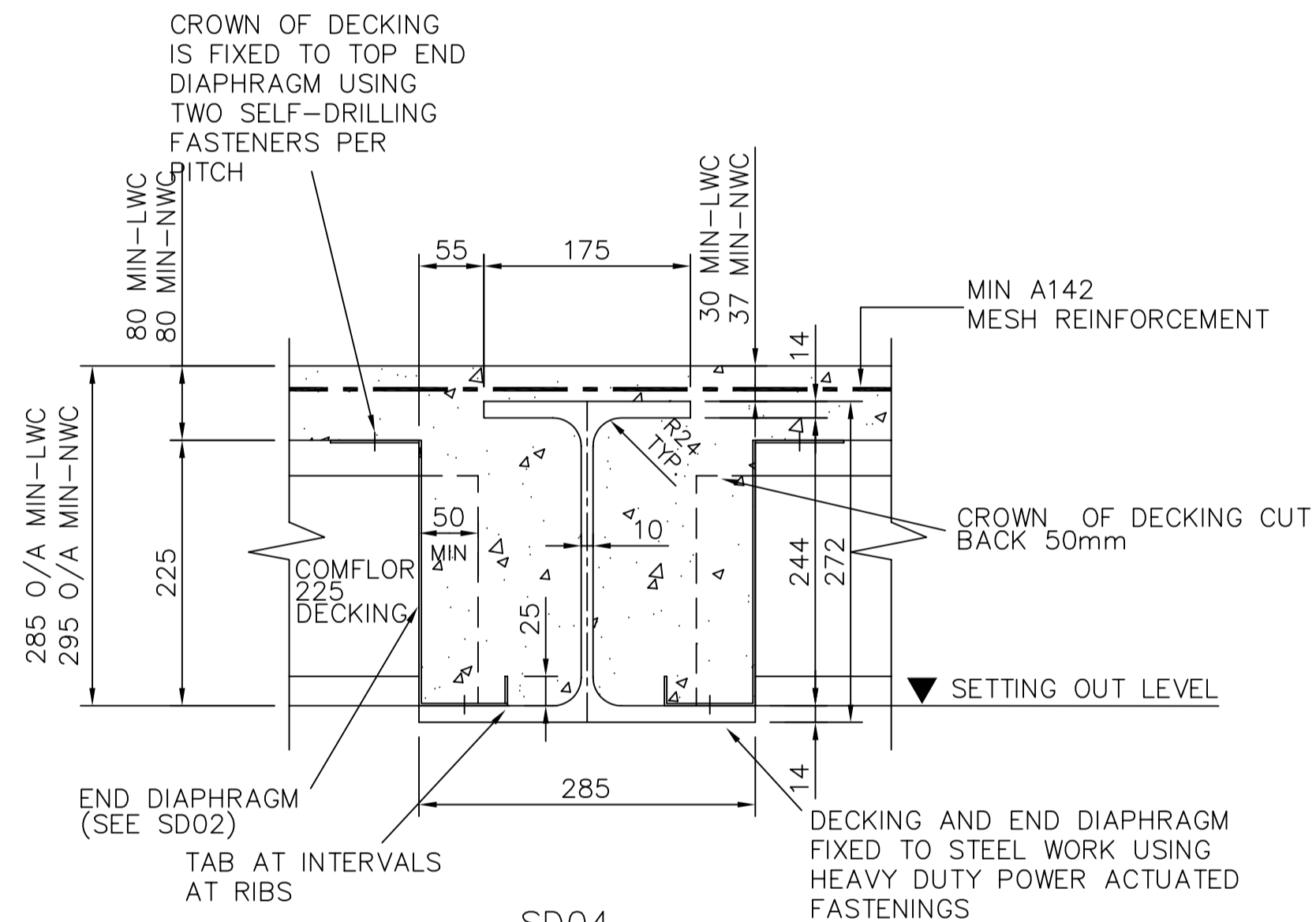
SECTIONS OF PROFILE REMOVED BY STANDARD CUT-OUTS

SD03
END NOTCHING
(NTS)

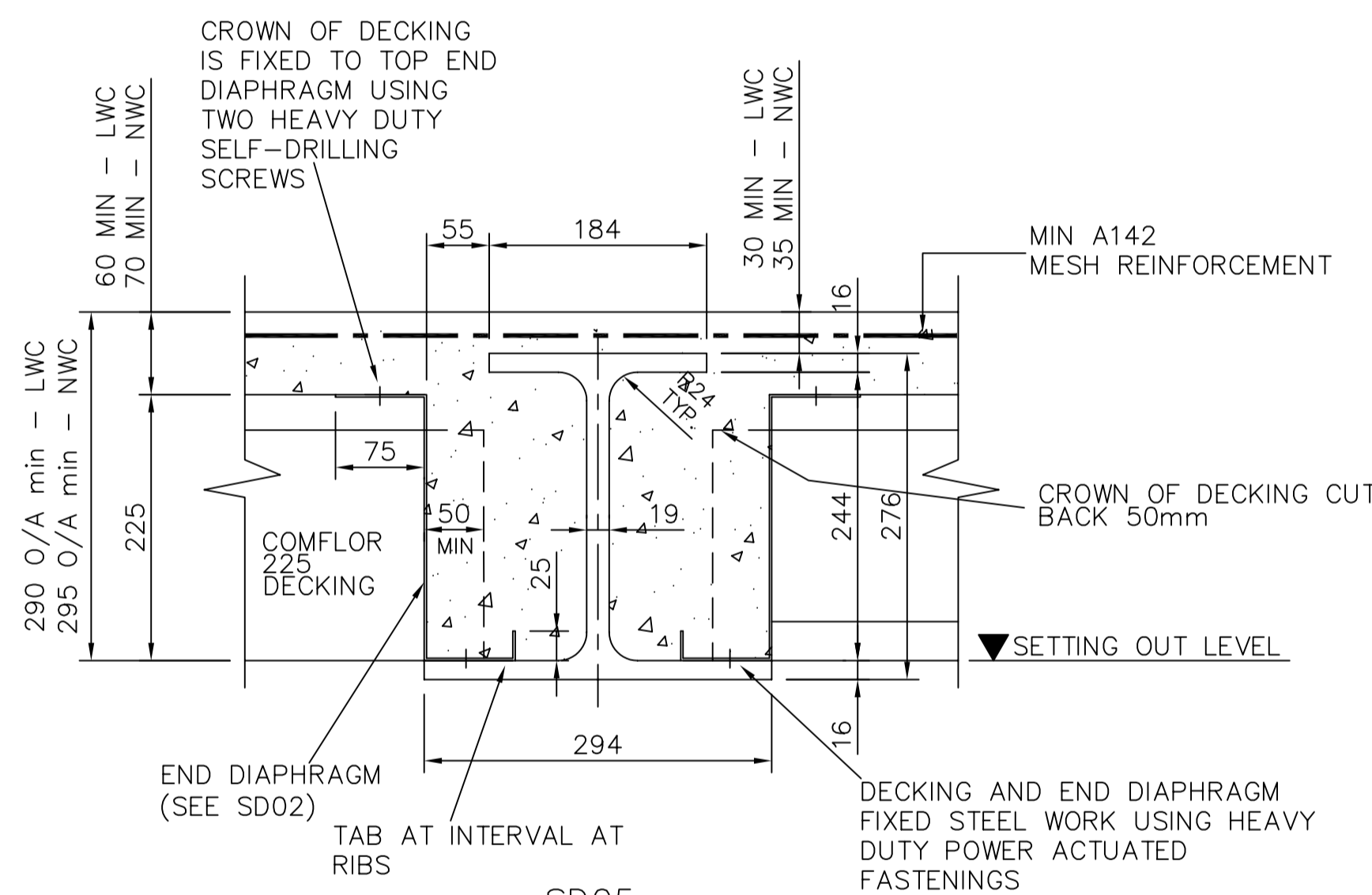


MATERIAL : 1.6mm STEEL TO BS EN 10326 S280-Z275
PLAIN GALVANISED

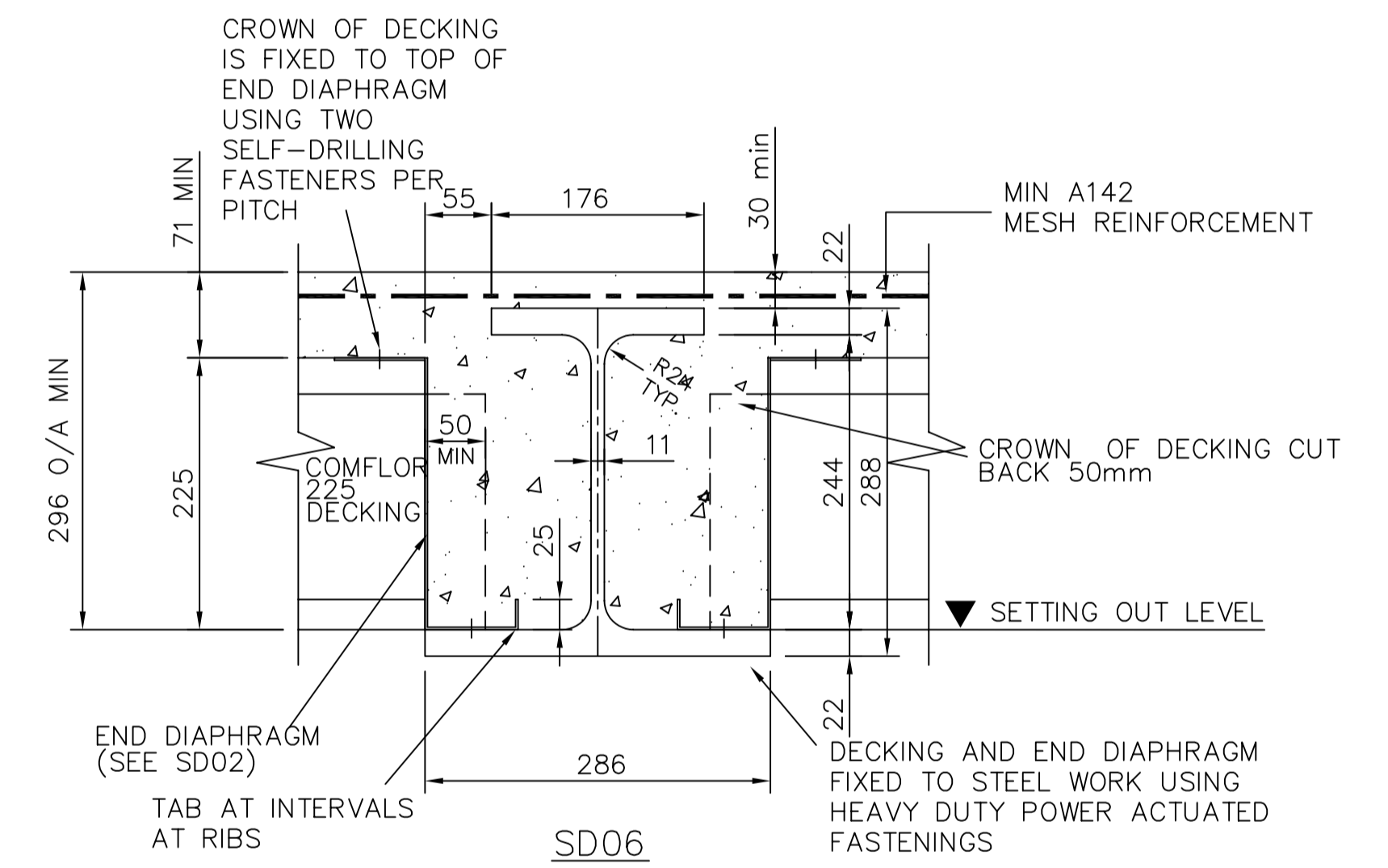
SD02
COMFLOR 225 DECK END DIAPHRAGM DIMENSIONS



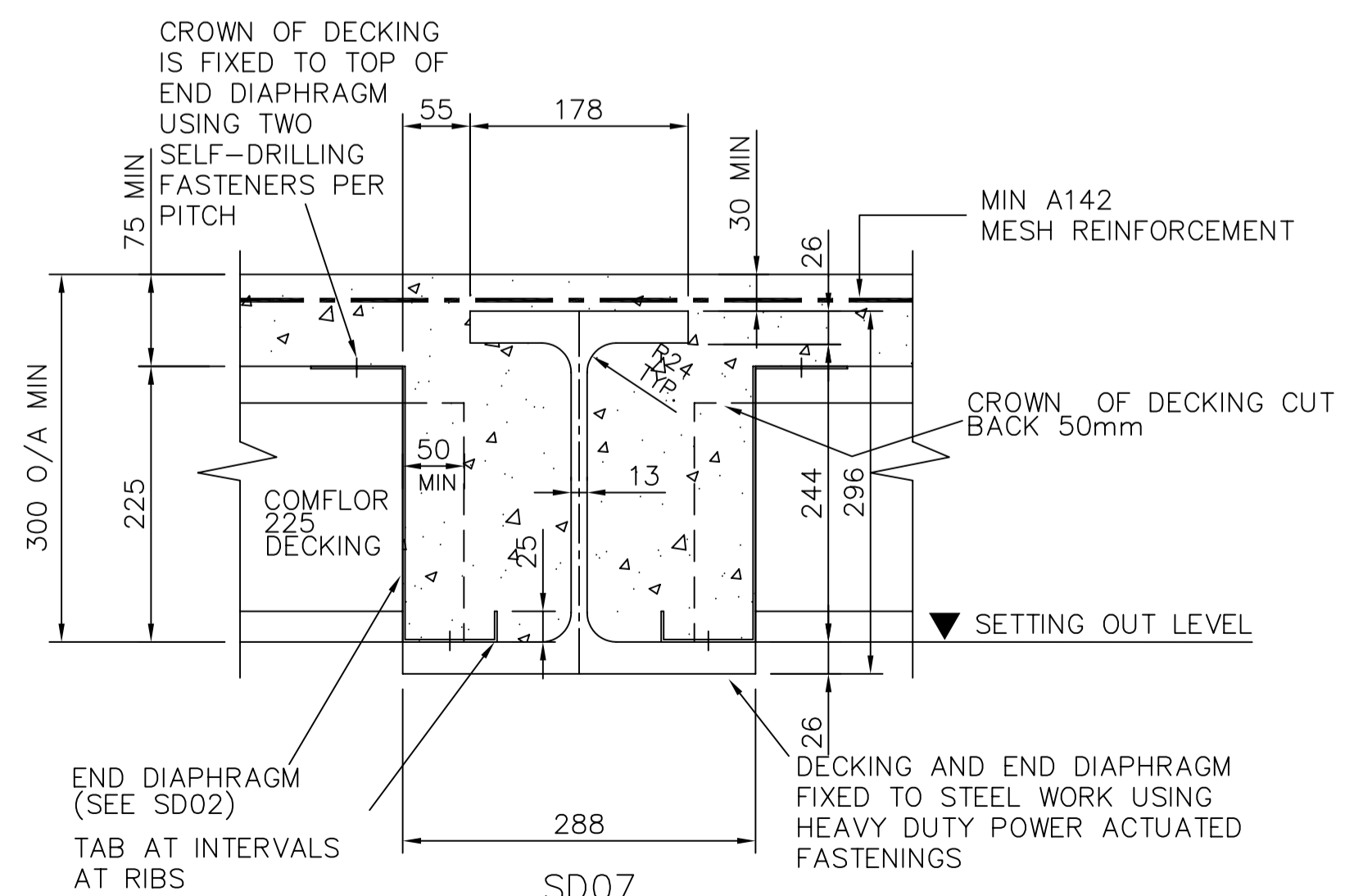
SD04
TYPICAL DECK DETAILS FOR 280 ASB 74



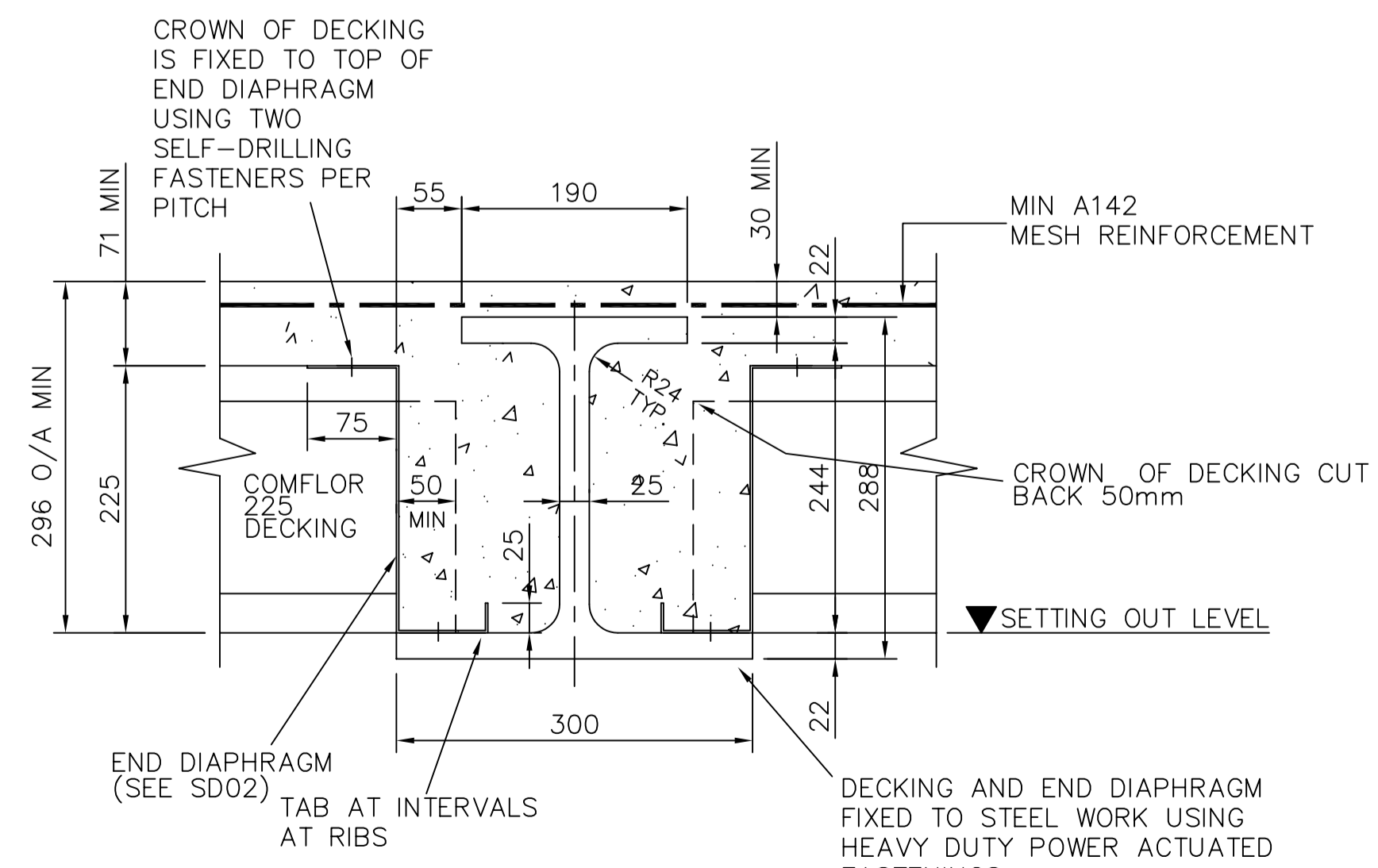
SD05
TYPICAL DECK DETAILS FOR 280 ASB 100



SD06
TYPICAL DECK DETAILS FOR 280 ASB 105



SD07
TYPICAL DECK DETAILS FOR 280 ASB 124



SD08
TYPICAL DECK DETAILS FOR 280 ASB 136

E	29/5/11	Company logo changed	DR	PNW
D	16/05/08	Updated to CP&P comments	DR	PNW
C	7/11/07	Drawing Updated	BWA	
B	27/4/01	Drawing Updated	SJS	CLB
No.	Date	Description	By	Chk'd

Drawing Revisions				
Title				
DECK PROFILE, END DIAPHRAGM				
Project				
SLIMDEK TYPICAL DETAILS				
Drawn	April 2001	TATA STEEL tel +44 (0)1724 405060		
Date	April 2001			
Checked				
Date				
Scale	1 : 5	Drawing No. BS-SD225-002		