

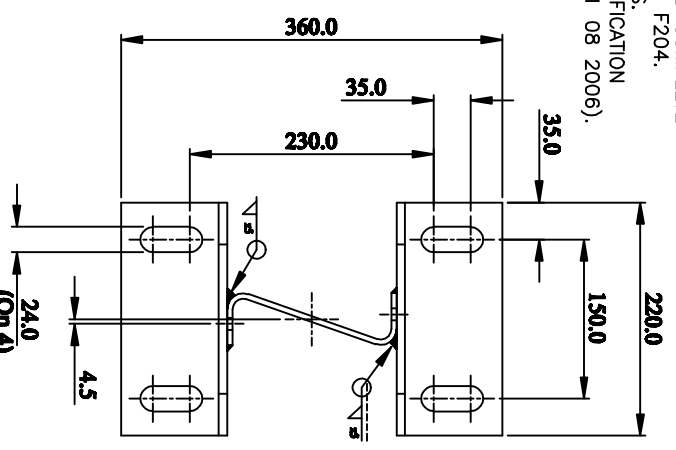
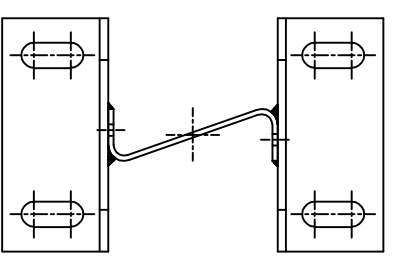
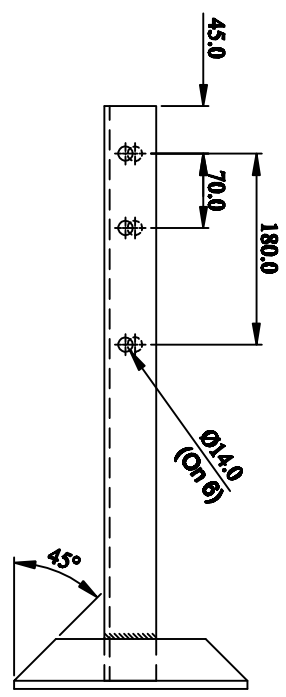
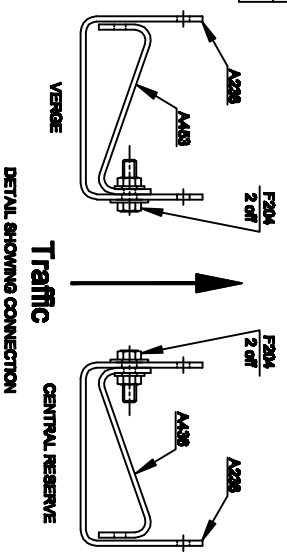
TOLERANCE BOX		TOLERANCE
RANGE		
0 LESS THAN	400	+2.0 -0
400 LESS THAN	800	+4.0 -0
MORE THAN	800	+6.0 -0

TYPICAL STAMP DETAIL

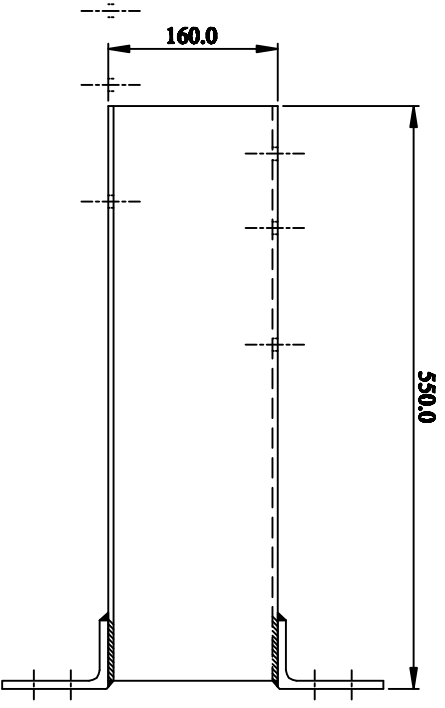
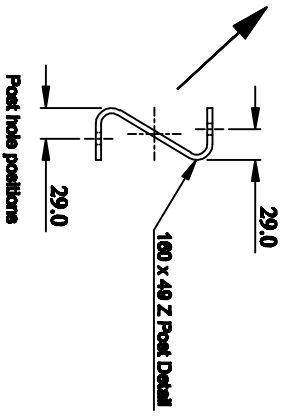
- VETEX A436 21 08 2006
- VETEX A453 21 08 2006

NOTES:

1. WELD DETAILS TO BS EN 22 553
2. ITEMS A436 AND A453 TO BE SUPPLIED COMPLETE WITH ITEM A438 AND 2 No. FASTENERS F204.
3. REMOVE ALL BURRS AND SHARP EDGES.
4. DURABLY MARK MANUFACTURERS IDENTIFICATION AND DATE (DAY MONTH & YEAR e.g. 21 08 2006).



Plan View  
Post Orientation - Verge  
A436



**Corus Distribution & Building Systems**

CORUS CEE, ILLANWERN WORKS  
NEWPORT, S. WALES, UK, NP19 4QZ

Sales tel: +44 (0) 1633 290011 Fax: +44 (0) 1633 464508  
Technical tel: +44 (0) 1633 752100 Fax: +44 (0) 1633 464508  
Corus email: [weborders@corusgroup.com](mailto:weborders@corusgroup.com)

**Models**  
A436 / A453

FINISH GALVANISED  
MATERIAL

DESCRIPTION SURFACE MOUNTED POST

CUSTOMER VETEX

DATE 24/11/10

DRAWN RO CHECKED AB

SCALE NTS

DRG. No. SH. REV.

VC26C 1 0