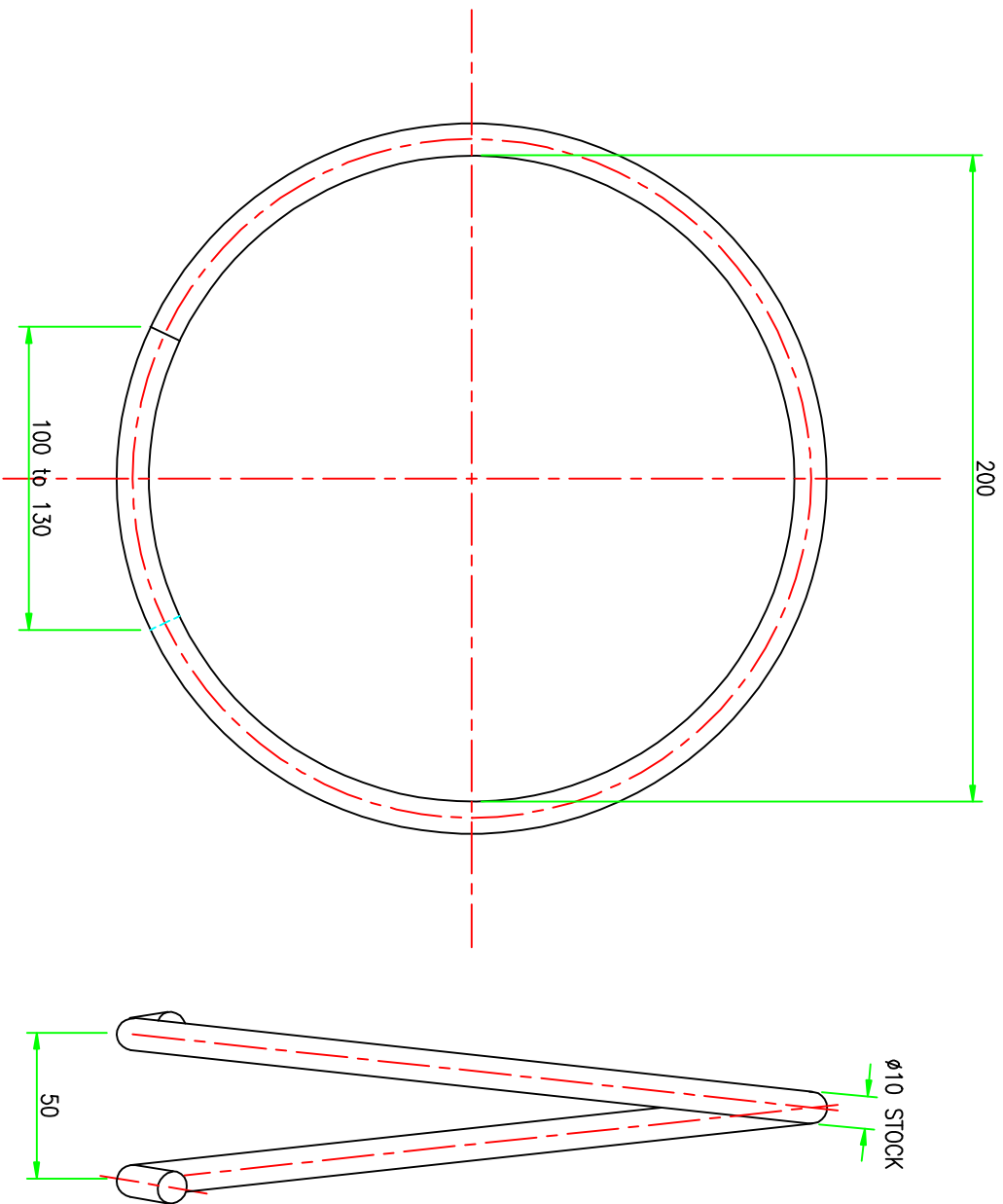


Product Codes: A21

File Ref: Uncontrolled Copy



TOLERANCE BOX	
RANGE	TOLERANCE
0 LESS THAN 400	- 0 + 2.0
400 LESS THAN 800	- 0 + 4.0
MORE THAN 800	- 0 + 6.0



OVERLAP

NOTES

1. ALL DIMENSIONS IN MILLIMETRES.
2. TOLERANCES AS DETAILED IN TOLERANCE BOX, UNLESS OTHERWISE STATED.
3. ALL BURRS AND SHARP EDGES TO BE REMOVED.

STAMP DETAIL

➔ VETEX A21 21 08 2006

Corvus distribution & Building Systems
 CORVUS GEP, LIANMINI WORKS
 NEWPORT, S.WALES, UK NP19 4QZ
 Sales tel: +44(0)1633 290011 Fax: +44 (0)1633 464508
 Technical tel: +44(0)1633 752100 Fax: +44 (0)1633 464508
 Corvus email: sales@corvusgep.com

FINISH	N/D
MATERIAL	

MODEL - A21

DESCRIPTION	REINFORCING RING	DRW. No.	Sh. REV.
CUSTOMER	N/A	VETEX	
PRODUCT	VETEX	1-07-2009	
DATE	RP	CHECKED	
DRAWN	NTS		
SCALE		VC67C	1 0