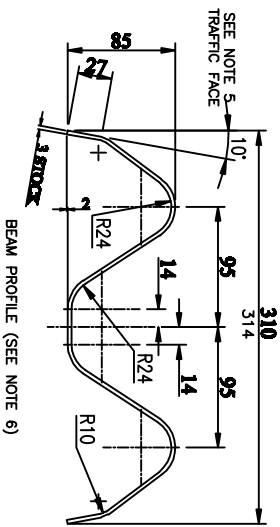
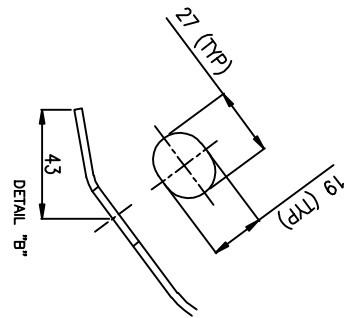
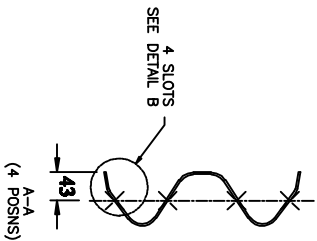
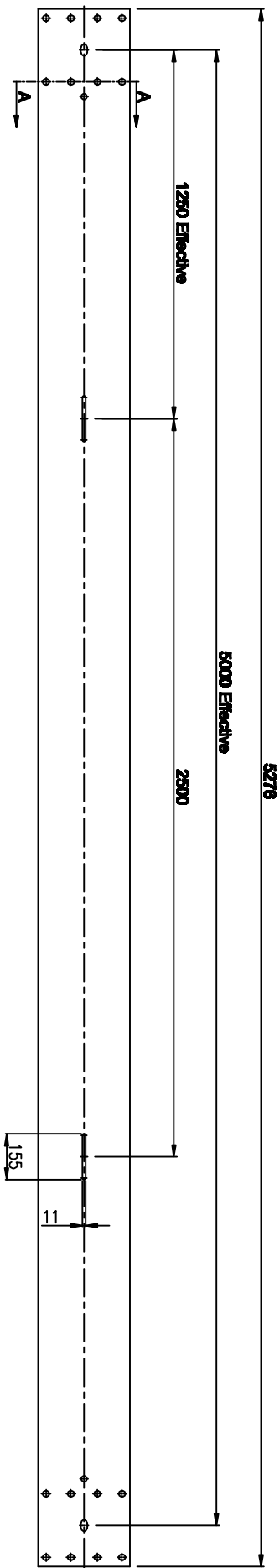
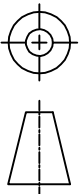
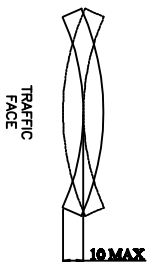


STANDARD BEAM 2.5M & 5M POST SPACING

TOLERANCE BOX		TOLERANCE	
RANGE			
0 LESS THAN 400	-0	+2.0	
400 LESS THAN 800	-0	+4.0	
MORN THAN 800	-0	+6.0	



BEAM PROFILE (SEE NOTE 6)



- NOTES:
1. DIMENSIONS ARE IN MILLIMETRES
 2. TOLERANCES AS DETAILED IN TOLERANCE BOX, UNLESS OTHERWISE STATED.
 3. REMOVE ALL BURRS AND SHARP EDGES
 4. DURABLY MARK MANUFACTURER'S IDENTIFICATION AND DATE (DAY MONTH & YEAR e.g.21 08 2006).

5. TRAFFIC FACE OF BEAM TO BE STRAIGHT WITHIN THE TOLERANCE SHOWN
6. THE SECTION OF THE BEAM PROFILE BETWEEN RADII SHALL NOT DEVIATE FROM A STRAIGHT LINE BY MORE THAN ±1.

STAMP DETAIL
 VETEX C501 21 08 2006

Rev No	Revision Notes	Rev Date	By
01	Technical Changes to Standard Form 2, 4, 5	07/08/05	R.P.
02	Changing additional steel reinforcement	14/08/05	R.P.
03	Length reduced by 50mm to allow for pipe on site	22/04/06	R.J.



Cofus Distribution & Building Systems

COFUS

CORUS CEP, LLANWERN WORKS
 NEWPORT, S. WALES, UK, NP19 4QZ

Notes:
 MATERIAL:
 GAUGE:
 GALVANISED

MODEL - C501

DESCRIPTION CORRUGATED BEAM

CUSTOMER

PRODUCT

DATE

DRAWN

SCALE

DRG. No. SH. REV.

VC52C 1 10

Sales tel: +44 (0) 1633 290011 Fax: +44 (0) 1633 464508
 Technical tel: +44 (0) 1633 752100 Fax: +44 (0) 1633 464508
 © Cofus email: safesound@cofusingroup.com