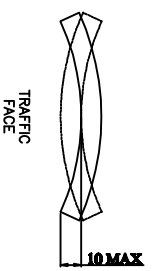
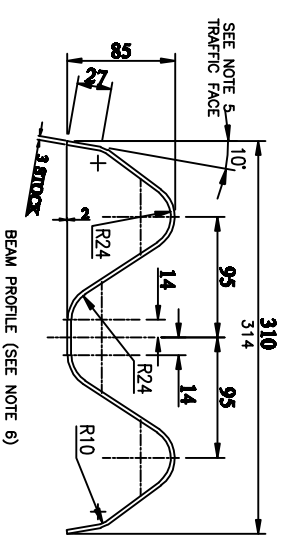
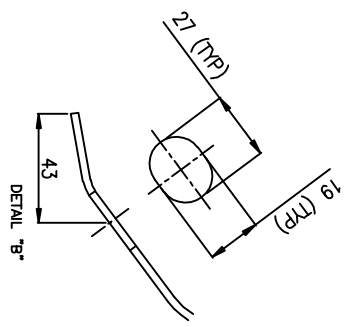
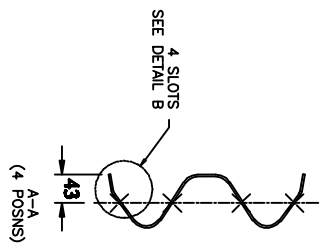
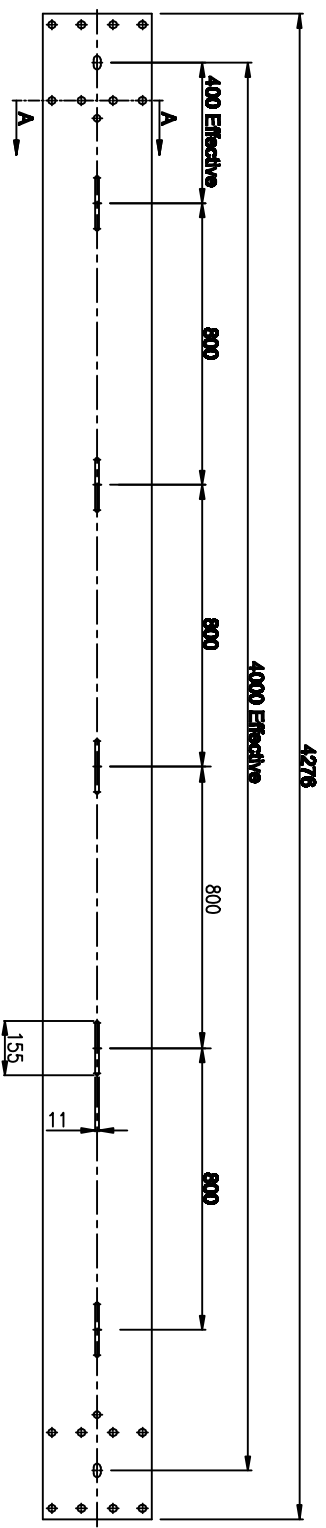


Product Codes: **C401**

File Ref: **UNCONTROLLED COPY**

STANDARD BEAM 0.8M & 1.6M POST SPACING

TOLERANCE BOX		TOLERANCE	
RANGE			
0 LESS THAN 400	-0	+20	
400 LESS THAN 800	-0	+40	
MORN THAN 800	-0	+60	



- NOTES:
1. DIMENSIONS ARE IN MILLIMETRES
 2. TOLERANCES AS DETAILED IN TOLERANCE BOX, UNLESS OTHERWISE STATED.
 3. REMOVE ALL BURS AND SHARP EDGES
 4. DURABLY MARK MANUFACTURE'S IDENTIFICATION AND DATE (DAY MONTH & YEAR e.g.21 08 2006).

5. TRAFFIC FACE OF BEAM TO BE STRAIGHT WITHIN THE TOLERANCE SHOWN
6. THE SECTION OF THE BEAM PROFILE BETWEEN RADII SHALL NOT DEVIATE FROM A STRAIGHT LINE BY MORE THAN ±1.

STAMP DETAIL
● VETEX C401 21 08 2006



Corus Distribution & Building Systems

CORUS CEP, LLANWERN WORKS
 NEWPORT, S. WALES, UK, NP19 4QZ

Sales tel: +44 (0) 1633 290011 Fax: +44 (0) 1633 464508
 Technical tel: +44 (0) 1633 752100 Fax: +44 (0) 1633 464508
 Corus email: salesorder@corusgroup.com

Notes:
 GALVANISED

MODEL - C401

DESCRIPTION	CUSTOMER	CORRUGATED BEAM
PRODUCT	VETEX	
DATE	28/09/06	
DRAWN	RP	CHECKED HLC
SCALE	NTS	

Rev No	Revision Notes	Rev Date	By
7	Change section and cross-section		

DRG. No. **VCS1C 1 7** SH. REV.