

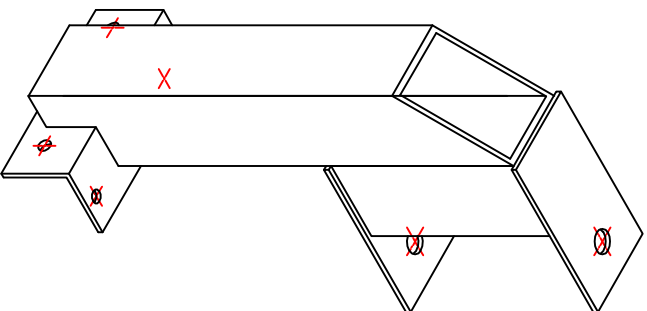
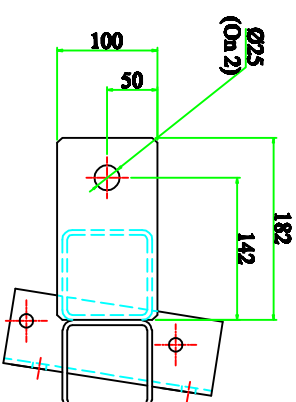
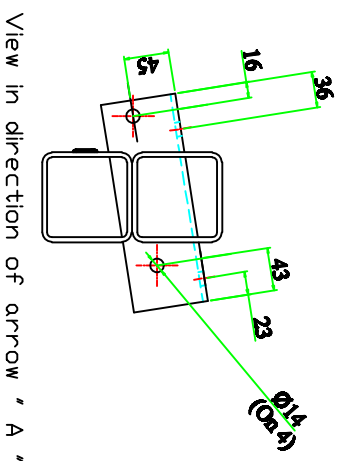
Product Codes: D030 & D031

File Ref: Uncontrolled Copy

Item D030 R/H - As Drawn  
 Item D031 L/H - Opposite Hand



TOLERANCE BOX		TOLERANCE	
RANGE		-	+
0	LESS THAN 400	-0	+2.0
400	LESS THAN 800	-0	+4.0
MORE THAN 800		-0	+6.0



**STAMP DETAIL**

**D030**  
**D031**

- NOTES :
1. DIMENSIONS ARE IN MILLIMETRES
  2. TOLERANCES STATED IN TOLERANCE BOX, EXCEPT WHERE OTHERWISE STATED
  3. REMOVE ALL BURRS AND SHARP EDGES
  4. DURABLY MARK MANUFACTURER'S IDENTIFICATION



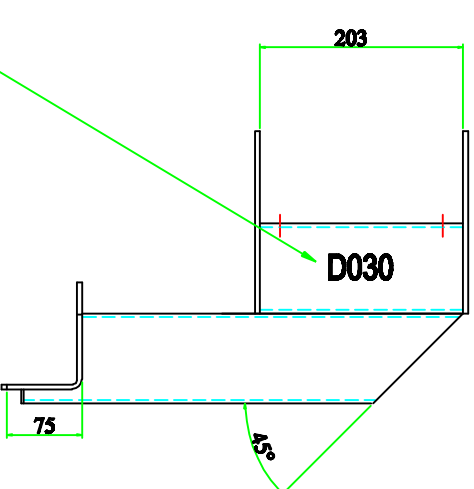
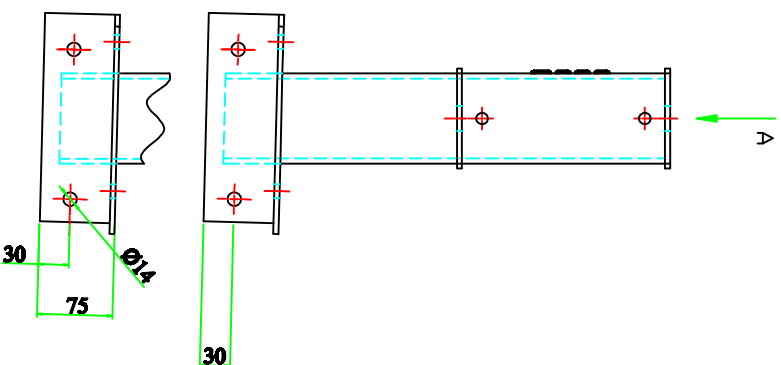
**Corus distribution & Building Systems**

CORUS CEP, LLANWERN WORKS  
 NEWPORT, S.WALES, UK, NP19 4QZ.

Sales tel: +44(0)1633 290011 Fax: +44 (0)1633 464508  
 Technical tel: +44(0)1633 752100 Fax: +44 (0)1633 464508

**CORUS** email: safefords@corusgroup.com

FINISH GALVANISED  
 MATERIAL



Component ID to be welded in this position - Minimum height 25mm's

**MODELS**  
**D030 & D031**

DESCRIPTION		KICKER BRACKET		DRW. No.		Sh. REV.	
CUSTOMER	PRODUCT	DATE	SCALE	NO.	REV.	NO.	REV.
		30/01/08	1:1	VC91C	1		0