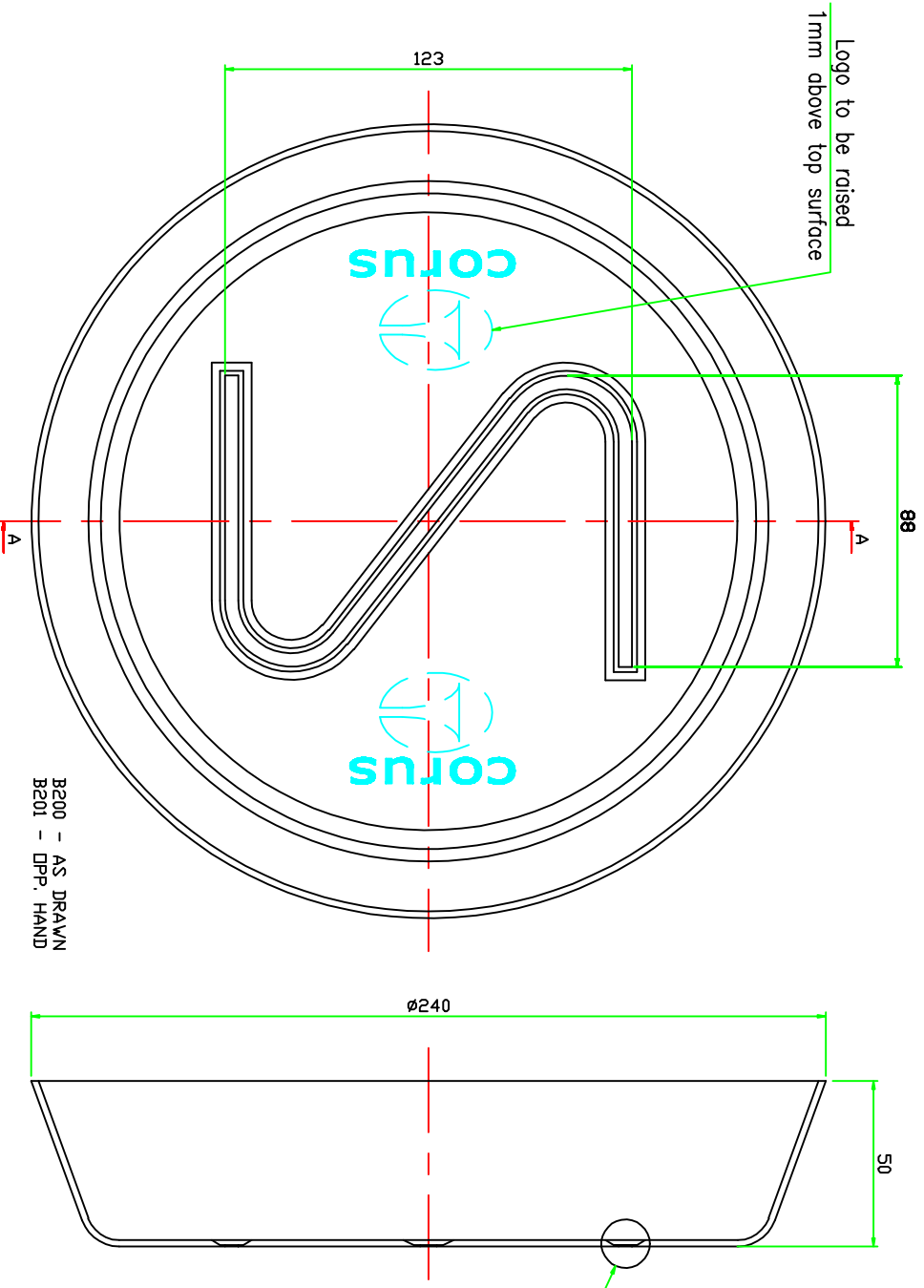


Product Codes: B200/B201

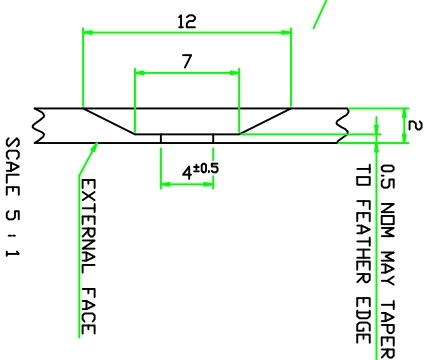
File Ref: Uncontrolled Copy



TOLERANCE BOX	
RANGE	TOLERANCE
0 LESS THAN 400	-0 +2.0
400 LESS THAN 800	-0 +4.0
MORE THAN 800	-0 +6.0



B200 - AS DRAWN
B201 - DPP, HAND



NOTES

1. ALL DIMENSIONS IN MM'S.
2. TOLERANCES AS DETAILED IN TOLERANCE BOX, UNLESS OTHERWISE STATED.
3. MANUFACTURERS IDENTIFICATION TO BE MOULDED ON INTERNAL FACEALL.



Corus distribution & Building Systems
CORUS CEP, LAMBERN WORKS
NEWPORT, S.WALES, UK NP23 9 4QZ

Sales tel: +44(0)1633 280011 Fax: +44 (0)1633 464508
Technical tel: +44(0)1633 752100 Fax: +44 (0)1633 464508
Corus email: sales@corusbuilding.com

FINISH	BLACK
MATERIAL	

MODEL - B200/B201

DESCRIPTION	POST SOCKET COVER - 125 X 90	DRW. No.	VC83C	Sh.	1	REV.	0
CUSTOMER	N/A	DATE	07-09-2007				
PRODUCT	VERTEC	DRAWN	RP	CHECKED			
SCALE	MKS						