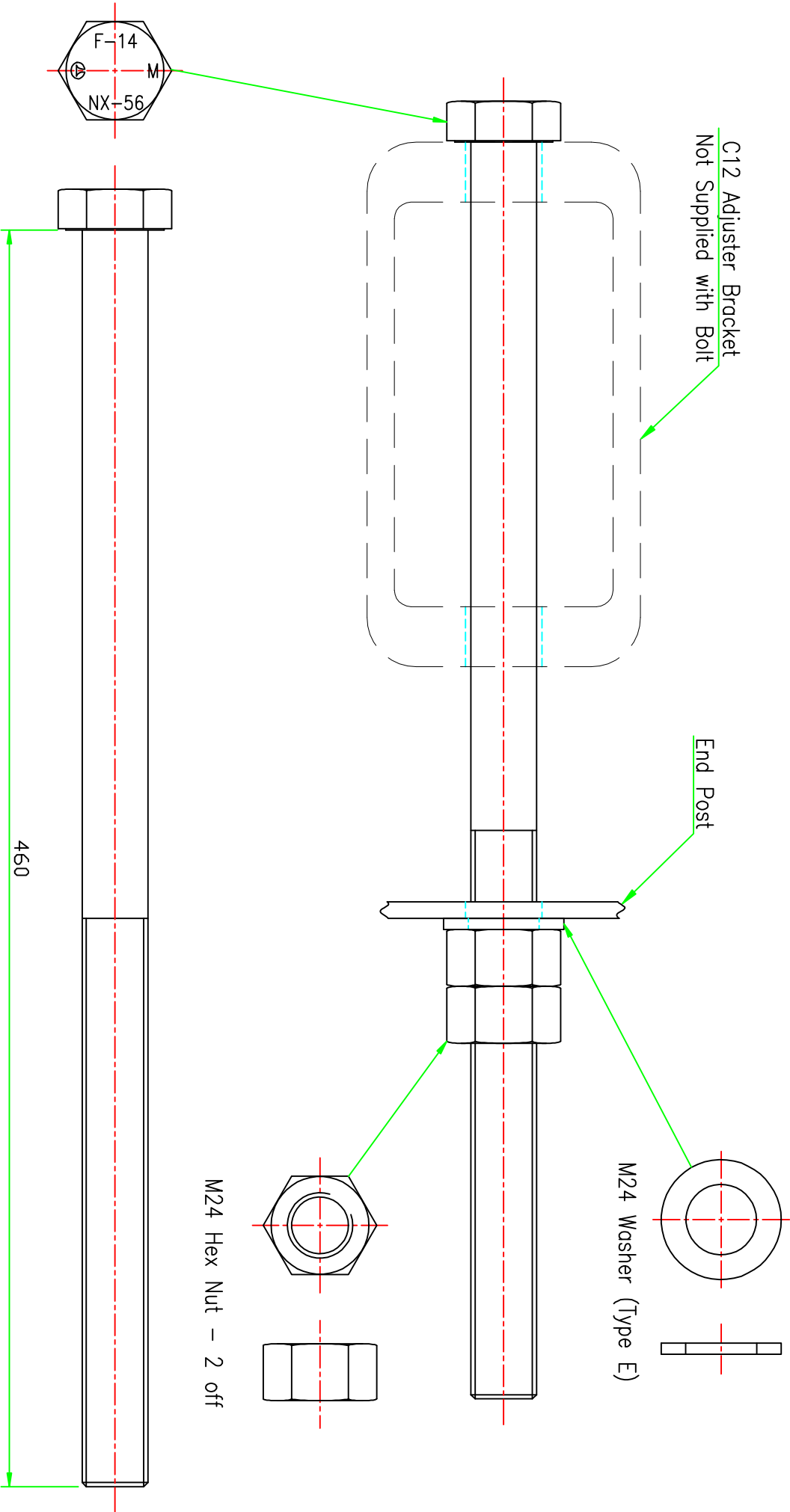


Product Codes: F14

File Ref: Uncontrolled Copy

TOLERANCE BOX		TOLERANCE	
RANGE			
0	LESS THAN 400	± X	
400	LESS THAN 800	± X	
	MORE THAN 800	± X	



Corvus Distribution & Building Systems
 CORVUS CDP, LIANWEN WORKS
 NEWPORT, SWALES, UK NP19 4QZ

Sales tel: +44(0)1633 290011 Fax: +44 (0)1633 464508
 Technical tel: +44(0)1633 752100 Fax: +44 (0)1633 464508
 Corvus email: sales@corvus.co.uk technical@corvus.co.uk

FINISH: GALVANISED
 MATERIAL: SEE SUMMARY CHART

MODEL - F14

DESCRIPTION	F14 - ANCHORAGE BOLT (R2 & P1 ANCHOR)		DRW. No.	Sh. REV.
CUSTOMER PRODUCT	VETEX		VC74C	1
DATE DRAWN	15/11/06	RP CHECKED		0
SCALE	MTS			