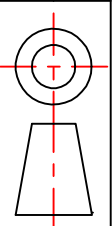
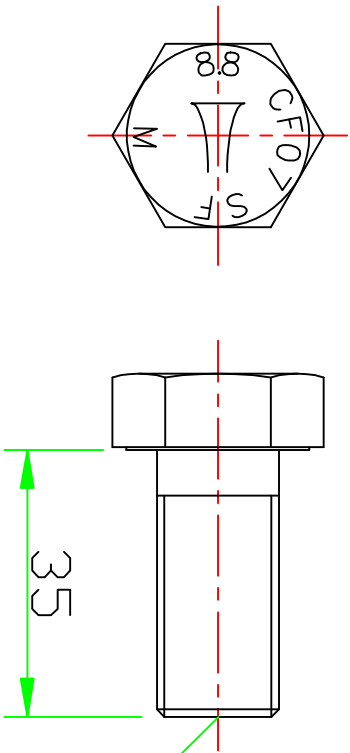


File Ref: Uncontrolled Copy
Product Codes: CF07



| | |
|---------------|-----------|
| TOLERANCE BOX | |
| RANGE | TOLERANCE |

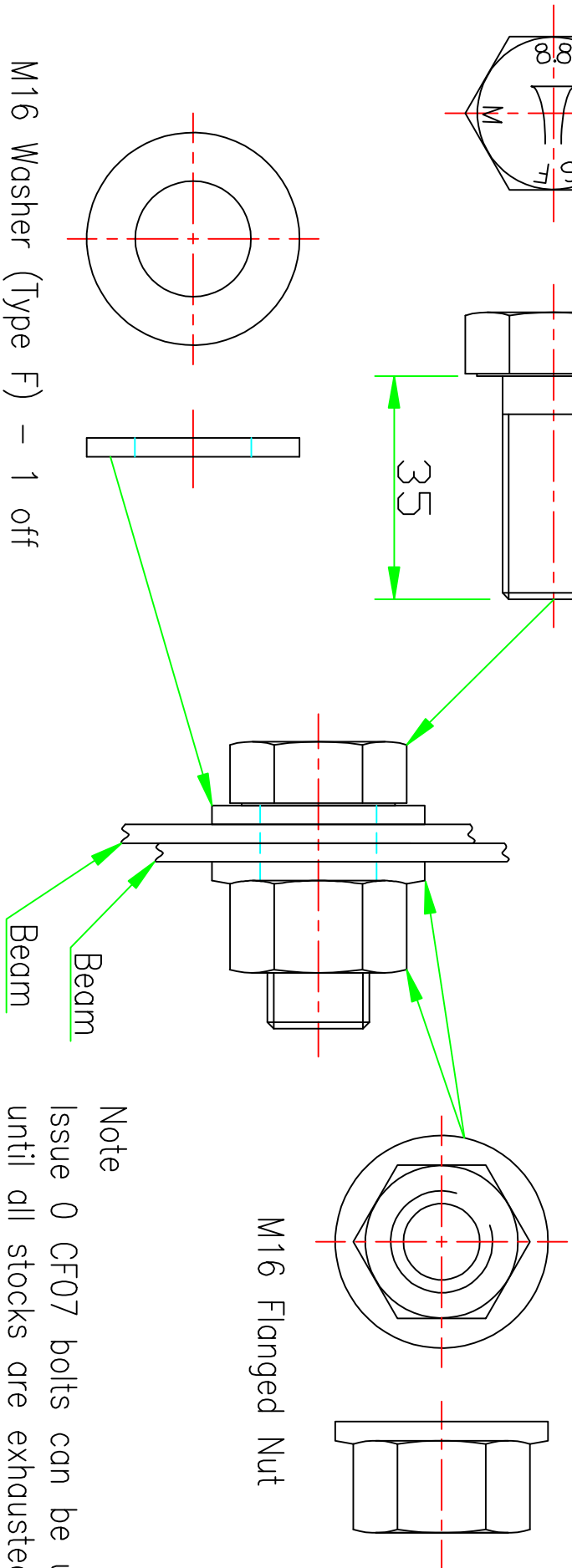
M16 Hex Head Bolt



| | | | |
|-----------|-----------|-----|-----|
| 0 | LESS THAN | 400 | ± X |
| 400 | LESS THAN | 800 | ± X |
| MORE THAN | 800 | ± X | |

M16 Flanged Nut

M16 Washer (Type F) – 1 off



Note
 Issue 0 CF07 bolts can be used until all stocks are exhausted.

Corus Distribution & Building Systems
 CORUS CEP, LLANWERN WORKS
 NEWPORT, S.WALES, UK, NP19 4QZ.

Sales tel: +44(0)1633 290011 Fax: +44 (0)1633 464508
 Technical tel: +44(0)1633 752100 Fax: +44 (0)1633 464508
 © **CORUS** email: saferoads@corusgroup.com

| | | | |
|--------------------|--------------------------------------|-----------------|-----------------|
| Rev No | Revision Notes | Rev Date | By |
| 01 | Nut & washer change to a flanged nut | 11/02/08 | RP |
| DESCRIPTION | CF07 - LAP BOLT | | |
| CUSTOMER | | | |
| PRODUCT | VETEX | DRW. No. | Sh. REV. |
| DATE | 09/11/06 | VC73C | 1 1 |
| DRAWN | R.P. CHECKED | HLC | |
| SCALE | NTS | | |