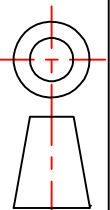


File Ref: Uncontrolled Copy

Product Codes: F202

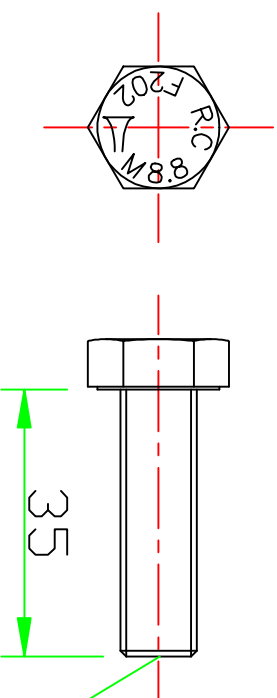


TOLERANCE BOX

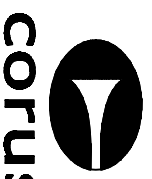
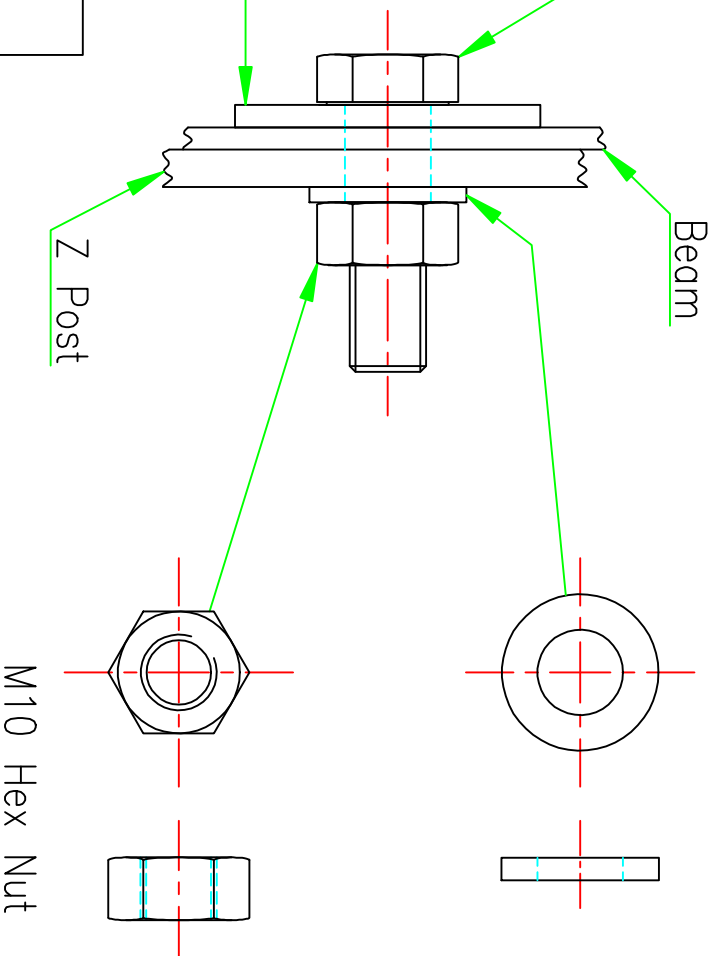
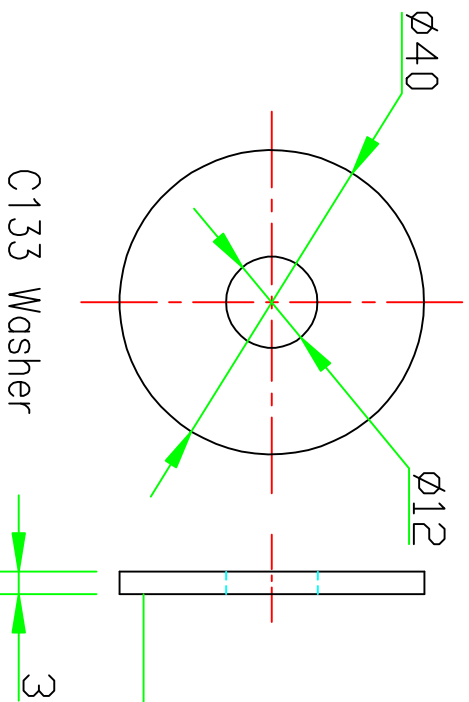
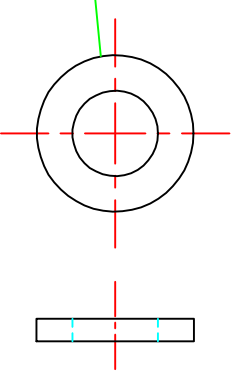
RANGE TOLERANCE

0	LESS THAN	400	± X
400	LESS THAN	800	± X
MORE THAN	800	± X	

M10 Hex Head Screw



M10 Washer (Type E)



**Corus Distribution
& Building Systems**

CORUS CEP, LLANWERN WORKS
NEWPORT, S.WALES, UK, NP19 4QZ.

Sales tel: +44(0)1633 290011 Fax: +44 (0)1633 464508
 Technical tel: +44(0)1633 752100 Fax: +44 (0)1633 464508
 © **CORUS** email: saferoads@corusgroup.com

DESCRIPTION	F202 - POST SCREW		
CUSTOMER			
PRODUCT	VETEX		
DATE	06/11/06		
DRAWN	R.P.	CHECKED	HLC
SCALE	NTS		
DRW. No.	VC71C		
Sh. REV.	1 0		