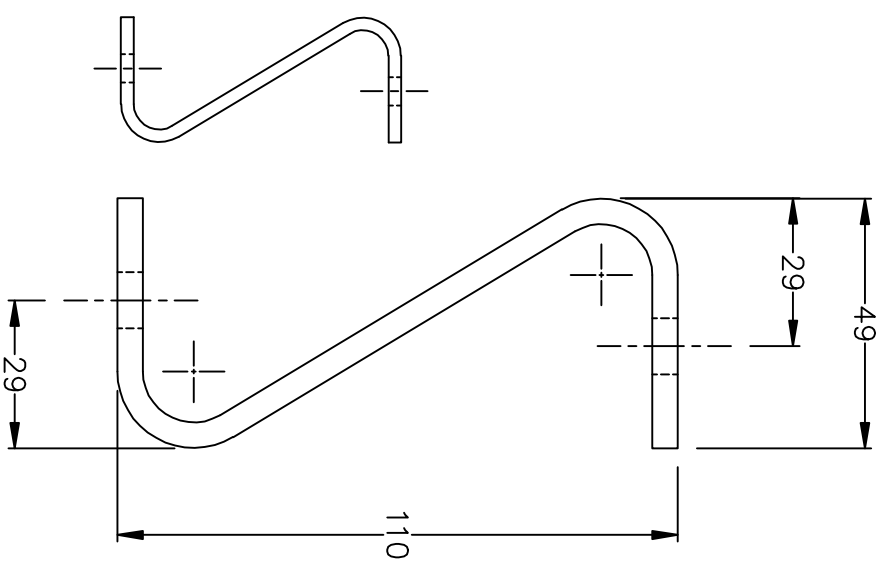
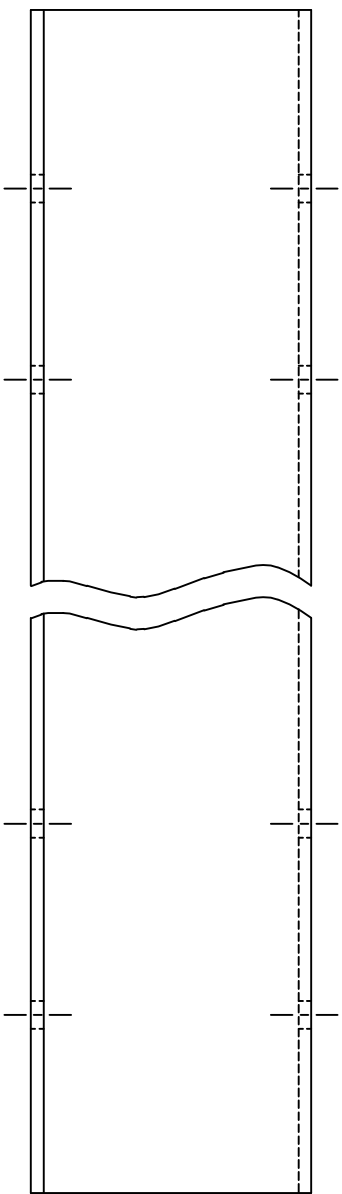
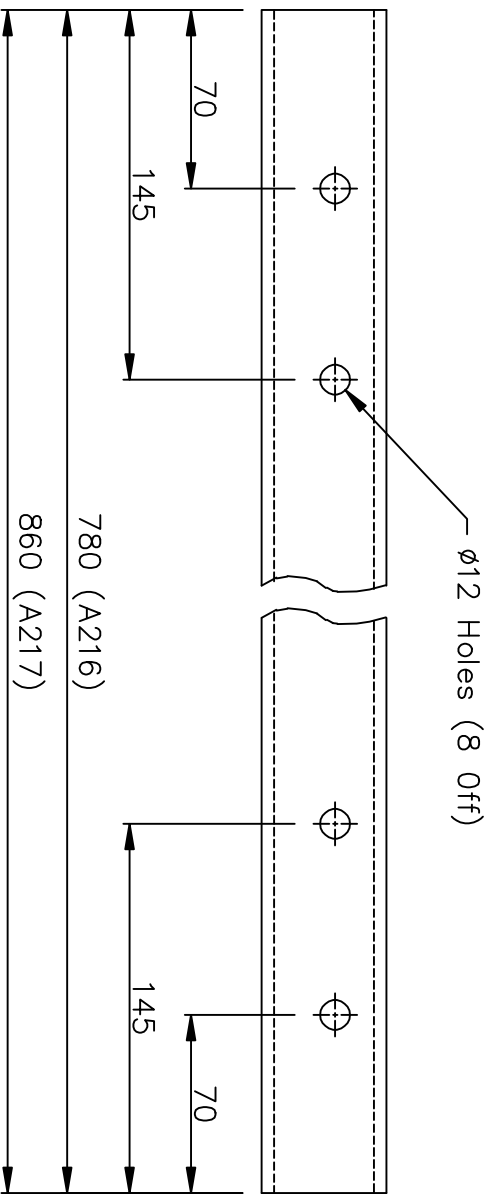


TOLERANCE BOX		TOLERANCE	
RANGE			
0	LESS THAN	400	-0 +2.0
400	LESS THAN	800	-0 +4.0
	MORE THAN	800	-0 +6.0



- NOTES :**
1. DIMENSIONS ARE IN MILLIMETRES
 2. TOLERANCES STATED IN TOLERANCE BOX, EXCEPT WHERE OTHERWISE STATED
 3. REMOVE ALL BURRS AND SHARP EDGES
 4. DURABLY MARK MANUFACTURERS IDENTIFICATION AND DATE (DAY MONTH & YEAR e.g. 21 08 2006)

STAMP DETAIL

VETEX A216 21 08 2006
 VETEX A217 21 08 2006



**Corvus distribution
& Building Systems**

CORUS CEP, LLANWERN WORKS
NEWPORT, S.WALES, UK, NP19 4QZ.

CORUS

Sales tel: +44(0)1633 290011 Fax: +44 (0)1633 464508
Technical tel: +44(0)1633 752100 Fax: +44 (0)1633 464508

Corvus email: sales@corvusgroup.com

Rev No	Revision Notes	Rev. Date	By
1	Drawing placed on new border	08/01/07	R.P

FINISH	GALVANISED
MATERIAL	

MODELS - A216 & A217

DESCRIPTION	P1 POST (CONCRETED & SOCKETED ONLY)	DRW. No.	Sh. REV.
CUSTOMER	Vetex		
PRODUCT			
DATE	04/12/2006		
DRAWN	RP	CHECKED	HLC
SCALE	NTS		

VC35C 1 1