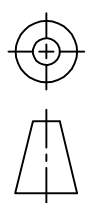
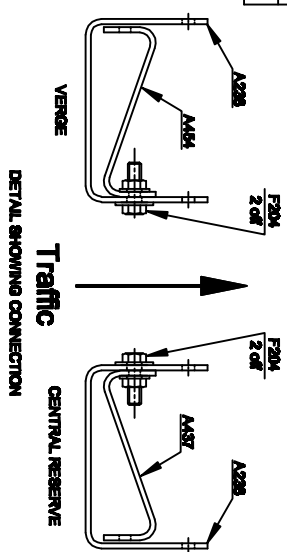


TOLERANCE BOX	
RANGE	TOLERANCE
0 LESS THAN 400	+2.0 -0
400 LESS THAN 800	+4.0 -0
MORE THAN 800	+6.0 -0

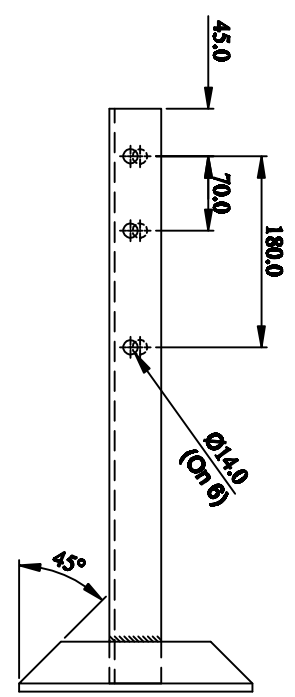


**TYPICAL STAMP DETAIL**

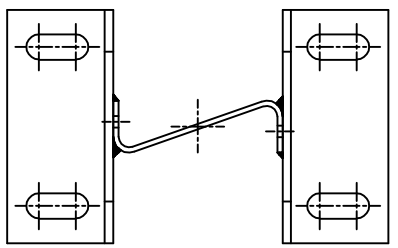
- VETEX A437 21 08 2006
- VETEX A454 21 08 2006



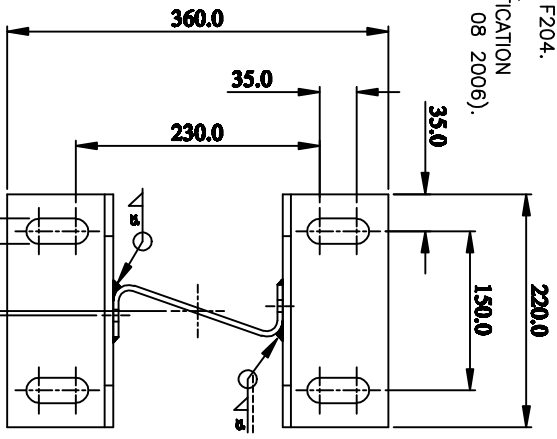
**Traffic**  
DETAIL SHOWING CONNECTION



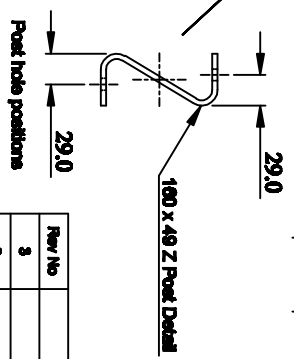
- NOTES:
1. WELD DETAILS TO BS EN 22 553
  2. ITEMS A437 AND A454 TO BE SUPPLIED COMPLETE WITH ITEM A438 AND 2 No. FASTENERS F204.
  3. REMOVE ALL BURRS AND SHARP EDGES.
  4. DURABLY MARK MANUFACTURERS IDENTIFICATION AND DATE (DAY MONTH & YEAR e.g. 21 08 2006).



Plan View  
Post Orientation - Central Reserve  
A437



Plan View  
Post Orientation - Verge  
A454



Rev No	Revision Notes	Rev. Date	By
3	Drawing redrawn and resubmitted	21/09/05	R.P
2	Tolerance changed from +. -.	26/04/05	R.J

**Corus Distribution & Building Systems**

CORUS CORP, ILLANWERN WORKS  
NEWPORT, S. WALES, UK, NP19 4QZ



Sales tel: +44 (0) 1633 290011 Fax: +44 (0) 1633 464508  
Technical tel: +44 (0) 1633 752100 Fax: +44 (0) 1633 464508  
Corus email: safecor@corusgroup.com

**Models**  
A437 / A454

FINISH  
GALVANISED  
MATERIAL

DESCRIPTION		SURFACE MOUNTED POST	
CUSTOMER			
PRODUCT	VETEX		
DATE	24/02/06		
DRAWN	MAH	CHECKED	MRL
SCALE	NTS		
DRG. No.	VVC22C		SH. REV. 1 3